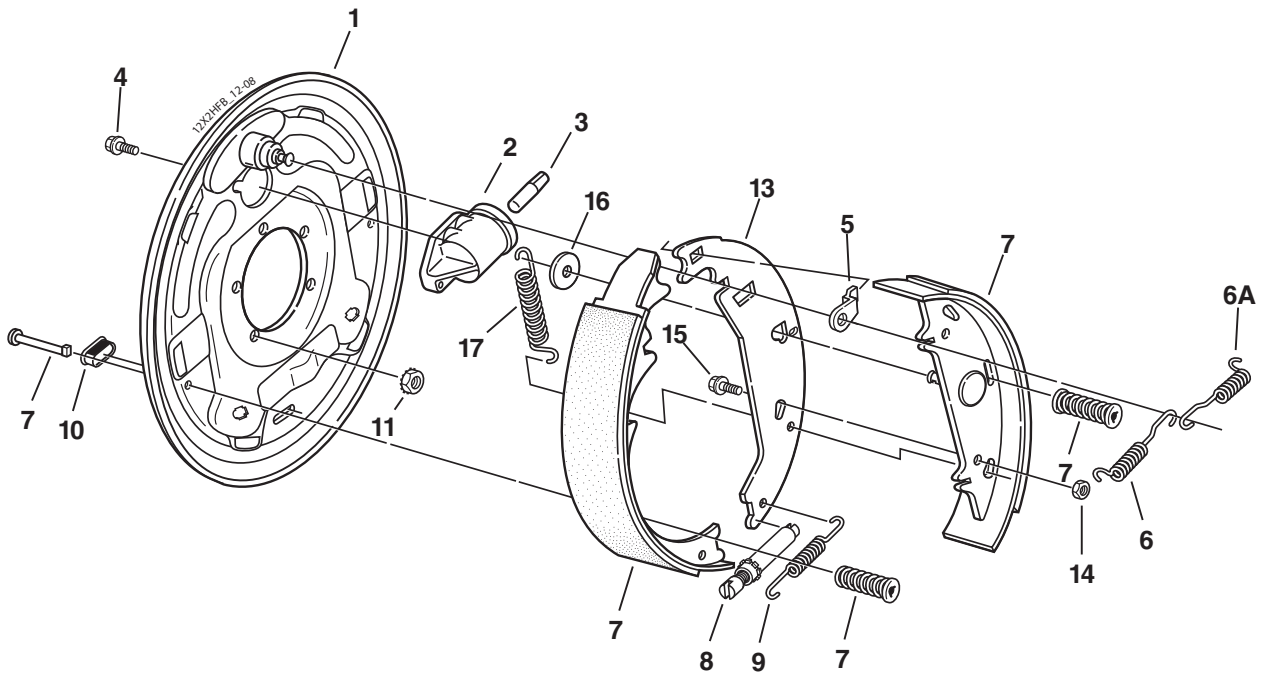


12" x 2" 7,000 lbs. Hydraulic Brake Free Backing



**5500-7000 LBS.
CAPACITY**

Note: Uni-Servo brakes to be used with surge actuator

Hydraulic Free Backing Brake 7000 lbs.

Item	Part No.	Qty/Brk	Description
0	K23-342-00	1	LH Complete Brake Assembly
0	K23-343-00	1	RH Complete Brake Assembly (shown)
1	036-093-08	1	Backing Plate Assembly
2	054-064-00	1	LH Brake Cylinder Uni-Servo
2	054-065-00	1	RH Brake Cylinder Uni-Servo
3	054-060-00	1	Cylinder Push Rod
4	087-001-00	2	Sems (screw & washer assembly)
5	037-069-02	1	Travel Link
6	046-101-00	1	Retractor Spring
6A	046-107-01	1	Shoe Lever Return Spring
7	K71-394-00	1	LH Shoe & Lining Kit Contains: 1 040-243-08 LH Primary Shoe & Lining 1 040-315-02 LH Secondary Shoe & Lining 1 046-077-00 Shoe Hold Down Spring & Cup-Sec. 2 035-001-00 Shoe Hold Down Cup-Primary 1 046-006-00 Shoe Hold Down Spring-Primary 1 049-013-00 Shoe Hold Down Pin 1-Primary 1 049-002-00 Shoe Hold Down Pin 8-Sec.
7	K71-395-00	1	RH Shoe & Lining Kit Contains: 1 040-243-09 RH Primary Shoe & Lining 1 040-315-01 RH Secondary Shoe & Lining 1 046-077-00 Shoe Hold Down Spring & Cup-Sec. 2 035-001-00 Shoe Hold Down Cup-Primary 1 046-006-00 Shoe Hold Down Spring-Primary 1 049-013-00 Shoe Hold Down Pin 1-Primary 1 049-002-00 Shoe Hold Down Pin 8-Sec.
8	043-028-00	1	Adjuster Assembly
9	046-123-00	1	Adjusting Screw Spring
10	046-007-00	1	Adjuster Slot Plug
*11	006-193-00	5	Nut Washer Assembly
13	040-244-01	1	Shoe Lever
14	006-011-00	1	Locknut
15	007-210-00	1	Screw
16	005-064-00	1	Washer
17	046-108-01	1	Primary Shoe Return Spring
ns	054-089-00	1	Bleeder Screw (included with item 2)

Hydraulic Free Backing Brake Corrosion Resistant 7000 lbs.

Item	Part No.	Qty/Brk	Description
0	K23-342-01	1	LH Complete Brake Assembly
0	K23-343-01	1	RH Complete Brake Assembly
1	036-093-09	1	Backing Plate Assembly
2	054-064-01	1	LH Brake Cylinder Uni-Servo
2	054-065-01	1	RH Brake Cylinder Uni-Servo
3	054-060-00	1	Cylinder Push Rod
4	087-001-00	2	Sems (screw & washer assembly)
5	037-069-02	1	Travel Link
6	046-101-00	1	Retractor Spring
6A	046-107-03	1	Shoe Lever Return Spring
7	K71-427-00	1	LH Shoe & Lining Kit Contains: 1 040-243-06 LH Primary Shoe & Lining 1 040-315-06 LH Secondary Shoe & Lining 1 046-077-01 Shoe Hold Down Spring & Cup-Sec. 2 035-001-00 Shoe Hold Down Cup-Primary 1 046-006-01 Shoe Hold Down Spring & Cup-Prim. 1 049-013-00 Shoe Hold Down Pin 1-Primary 1 049-002-00 Shoe Hold Down Pin 8-Sec.
7	K71-428-00	1	RH Shoe & Lining Kit Contains: 1 040-243-07 RH Primary Shoe & Lining 1 040-315-05 RH Secondary Shoe & Lining 1 046-077-01 Shoe Hold Down Spring & Cup-Sec. 2 035-001-00 Shoe Hold Down Cup-Primary 1 046-006-01 Shoe Hold Down Spring & Cup-Prim. 1 049-013-00 Shoe Hold Down Pin 1-Primary 1 049-002-00 Shoe Hold Down Pin 8-Sec.
8	043-028-00	1	Adjuster Assembly
9	046-123-01	1	Adjusting Screw Spring
10	046-007-00	1	Adjuster Slot Plug
*11	006-193-00	5	Nut Washer Assembly
13	040-244-02	1	Shoe Lever
14	006-011-00	1	Locknut
15	007-210-00	1	Screw
16	005-064-00	1	Washer
17	046-108-03	1	Primary Shoe Return Spring
ns	054-089-00	1	Bleeder Screw (included with item 2)

ns - not shown

* Not included with complete brake assembly. Item sold separately.