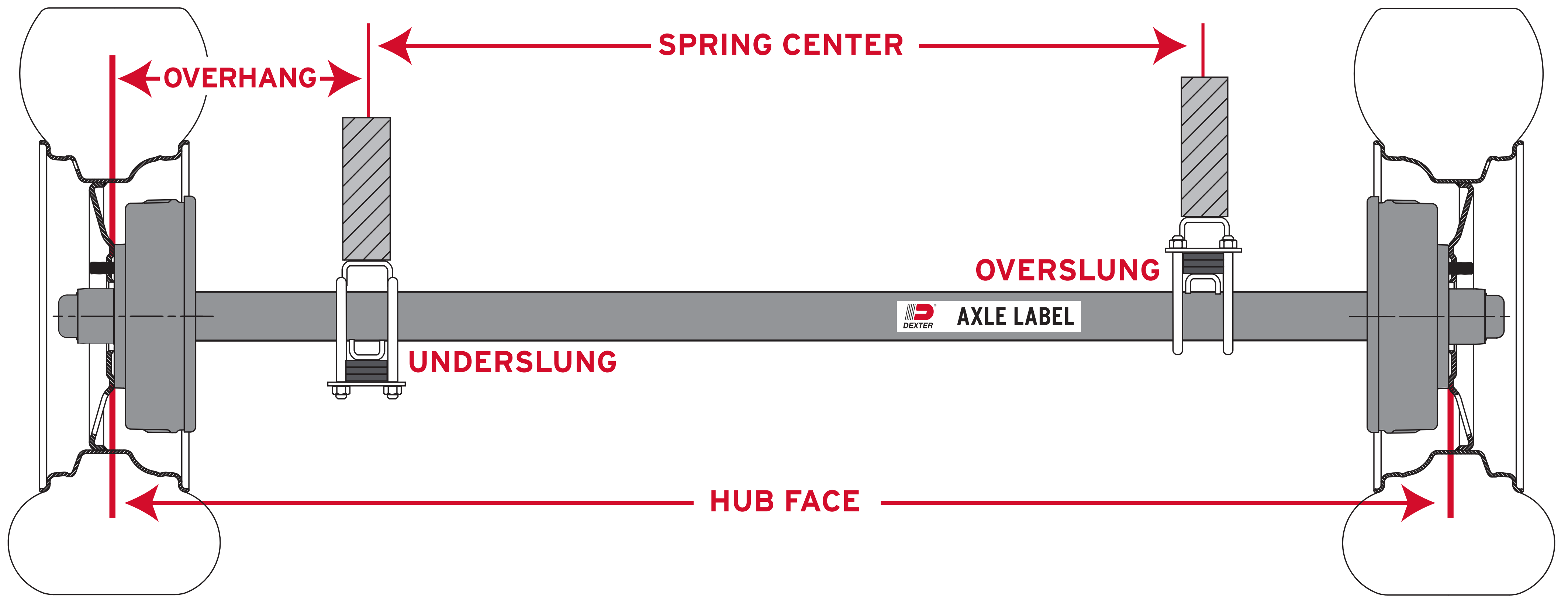


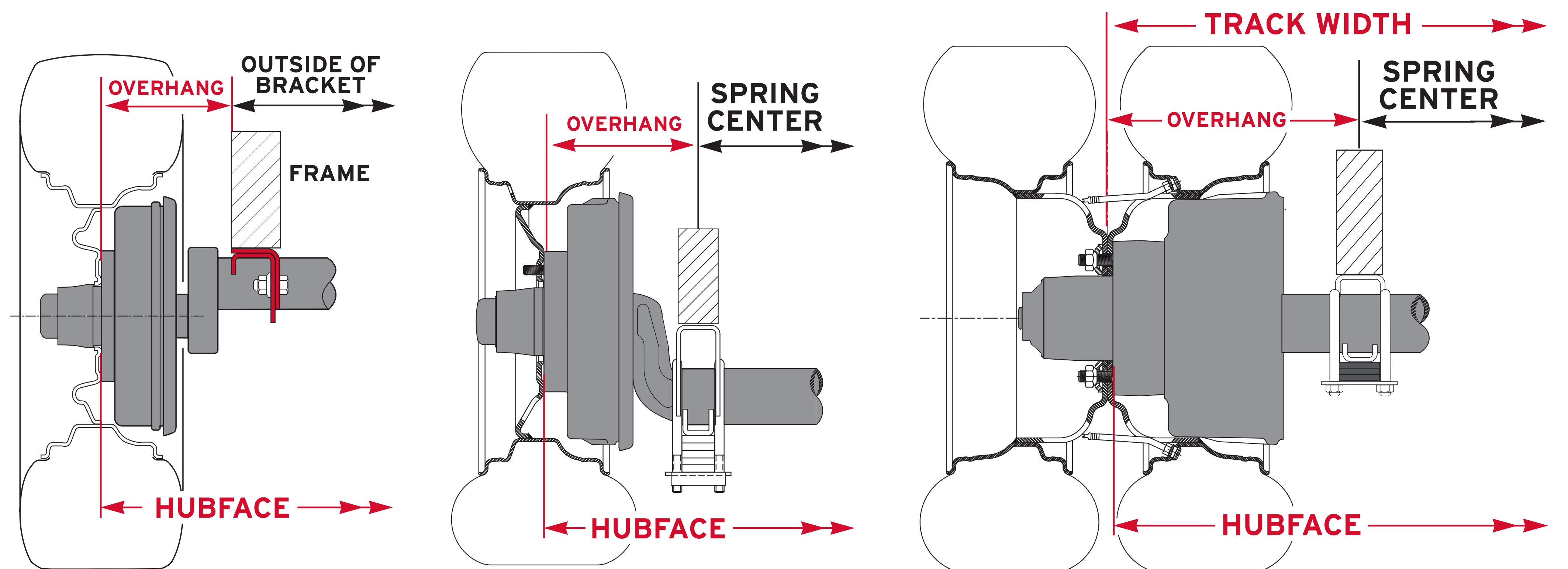
UNDERSTANDING AXLE MEASUREMENTS



TORFLEX® WHEEL END

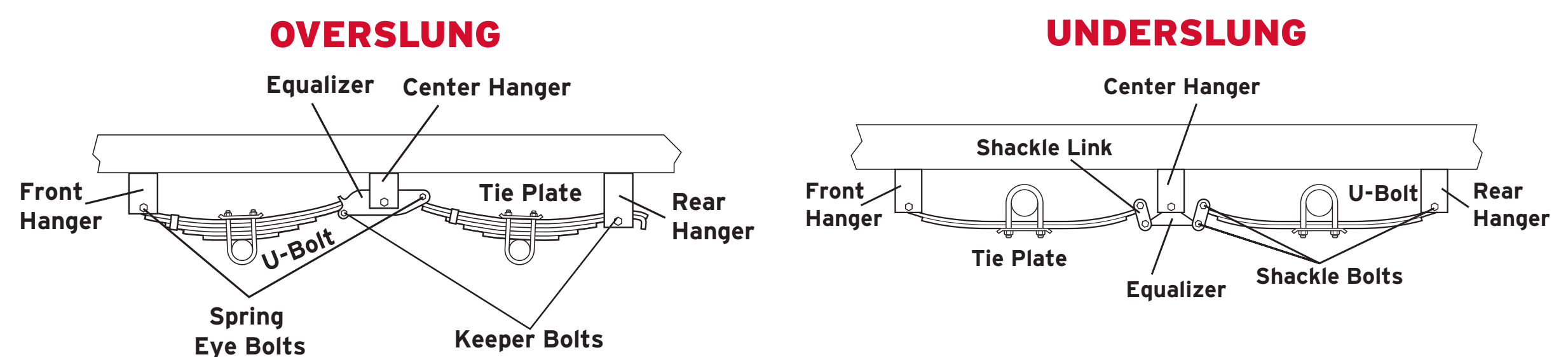
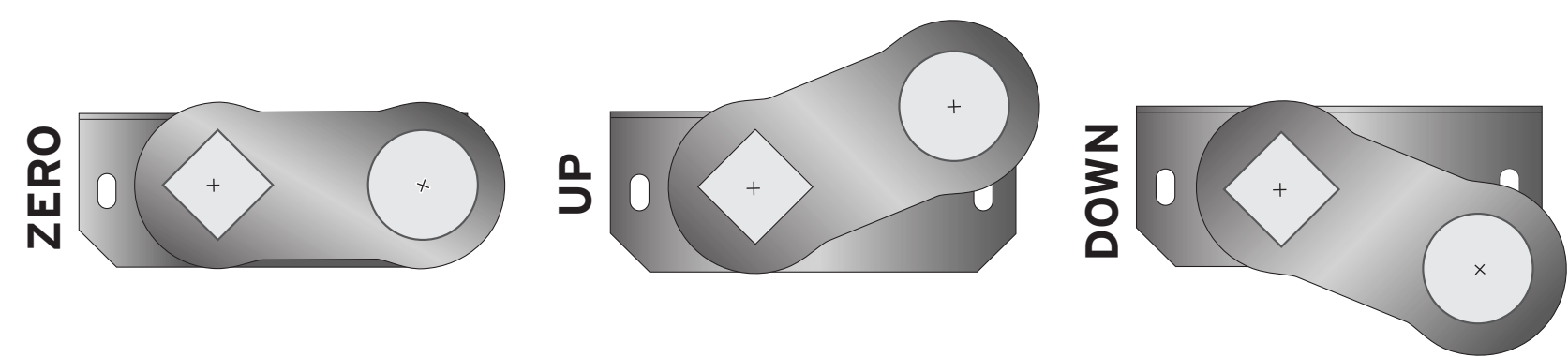
DROP SPINDLE WHEEL END

MEDIUM DUTY DUAL WHEEL END

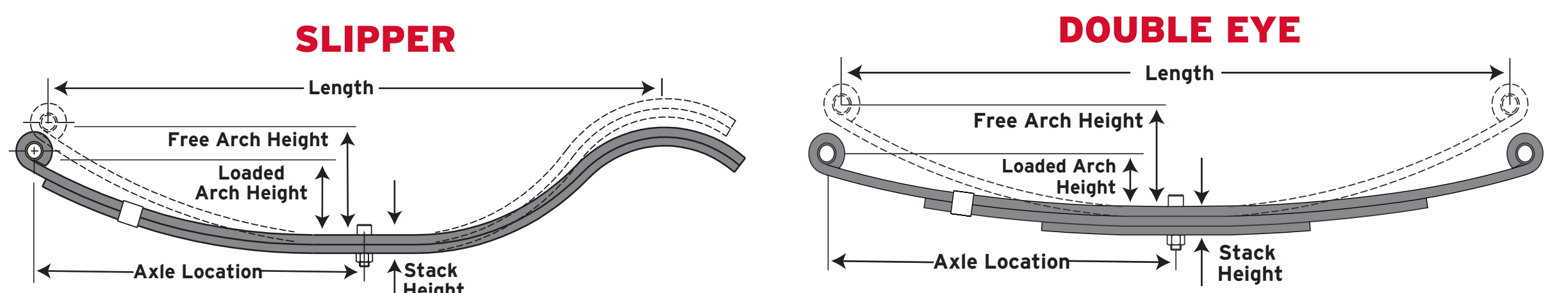
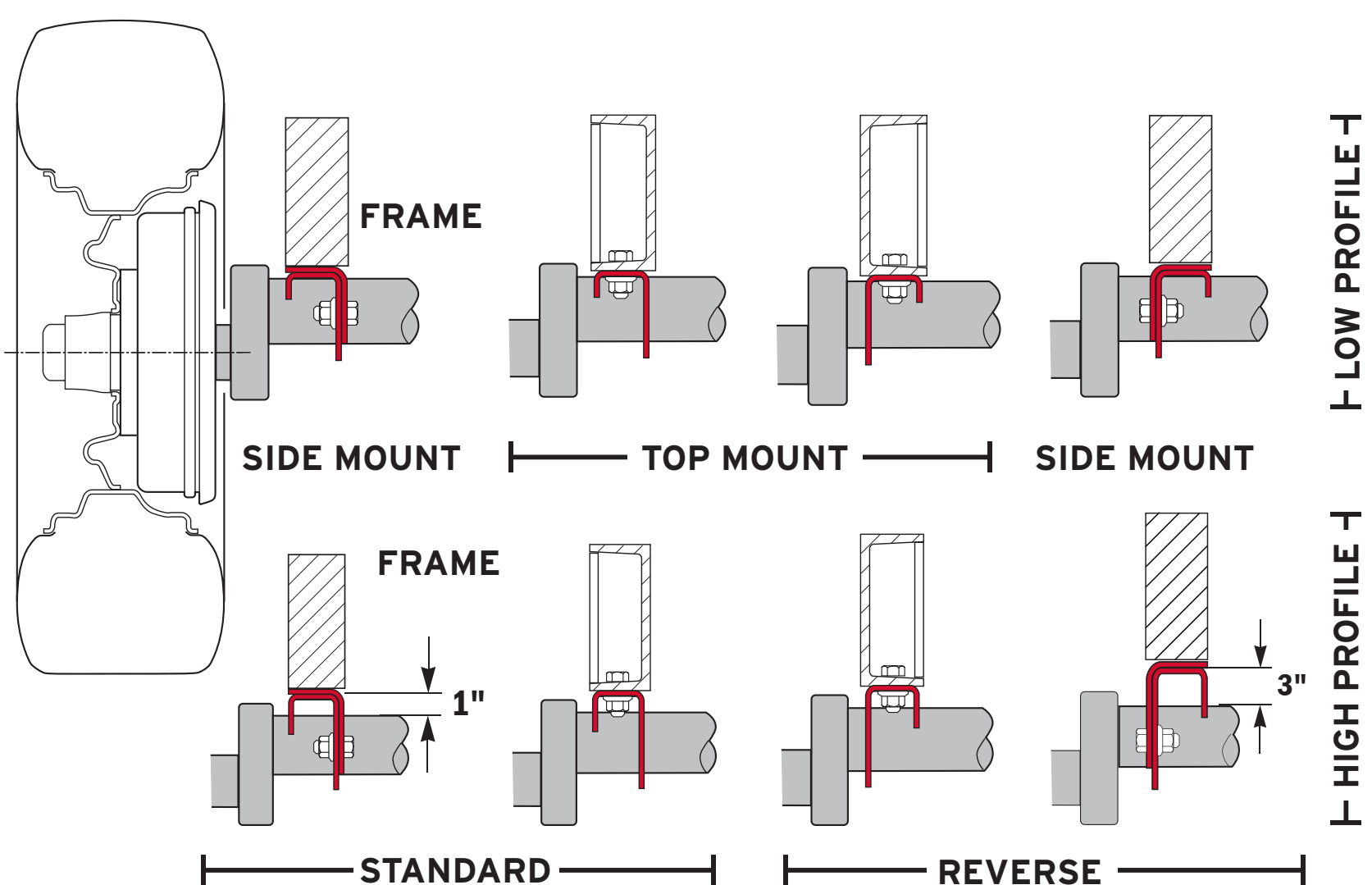


TORFLEX START ANGLES

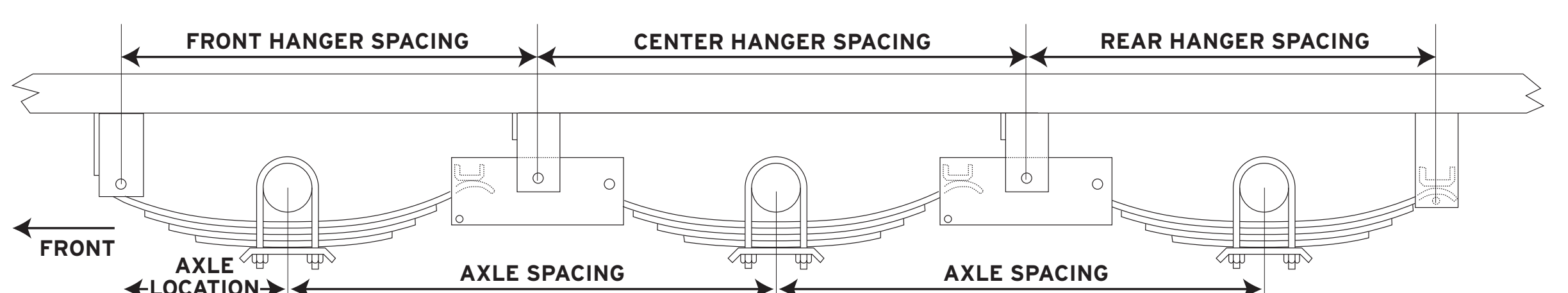
LEAF SPRING TYPE AND POSITION



TORFLEX BRACKETS



AXLE SPACING



FOR MORE INFORMATION ON AXLE MEASUREMENTS VISIT WWW.DEXTERAXLE.COM/AXLEORDERFORM