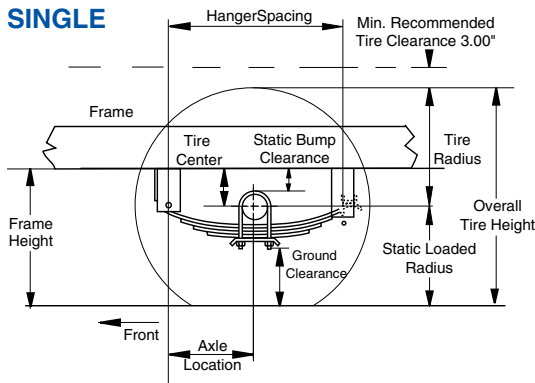


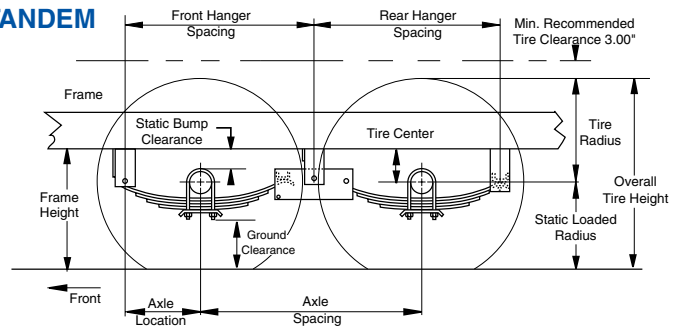
Suspension Dimensions – Kits for 2" Wide Springs



SINGLE



TANDEM



9K Tandem Axle

HAP-205-01 HAP-205-02 HAP-205-03

	HAP-205-01	HAP-205-02	HAP-205-03
Front Hanger Spacing	32.4	34.6	37.7
Rear Hanger Spacing	32.9	35.0	38.1
Static Bump Clearance	2.3	2.3	2.3
Tire Center	4.9	4.9	4.9
Axle Location	13.7	13.7	13.7
Front Axle Spacing	38.0	42.3	48.5

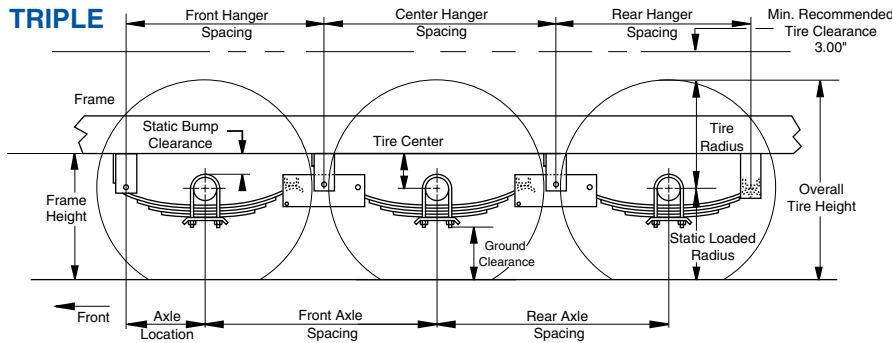
9K Single Axle HAP-105-00

Part No.	Qty	Description
028-068-04	2	Front Hanger
030-068-01	2	Rear Hanger
007-181-00	2	Spring Eye Bolt
007-007-00	2	Keeper Bolt
006-038-00	2	Locknut
006-011-00	2	Locknut
059-203-00	1	Instruction Sheet

9K Single Axle HAP-105-00

Front Hanger Spacing	26.9
Static Bump Clearance	2.6
Tire Center	5.2
Axle Location	13.7

TRIPLE



9K 38" Triple Axle

HAP-205-01 HAP-205-02 HAP-205-03

	HAP-205-01	HAP-205-02	HAP-205-03
Front Hanger Spacing	32.4	34.6	37.7
Center Hanger Spacing	38.0	42.3	48.5
Rear Hanger Spacing	32.9	35.0	38.1
Static Bump Clearance	2.3	2.3	2.3
Tire Center	4.9	4.9	4.9
Axle Location	13.7	13.7	13.7
Front Axle Spacing	38.0	42.3	48.5
Rear Axle Spacing	38.0	42.3	48.5

9K Axle Assemblies

38" 42.25" 48.50"

For single axle assemblies use (1) HAP-105-00

Tandem	(1) HAP-105-00 (1) HAP-205-01	(1) HAP-105-00 (1) HAP-205-02	(1) HAP-105-00 (1) HAP-205-03
Triple	(1) HAP-105-00 (2) HAP-205-01	(1) HAP-105-00 (2) HAP-205-02	(1) HAP-105-00 (2) HAP-205-03

All dimensions are for underslung spring orientation only.

9K 38" Multi-Axle

Conversion Kit HAP-205-01

Part No.	Qty	Description
029-039-04	2	Center Hanger
013-117-03	2	Equalizer
007-181-00	2	Spring Eye Bolt
007-007-00	2	Keeper Bolt
007-182-00	2	Equalizer Bolt
006-038-00	2	Locknut
006-011-00	2	Locknut
006-112-00	2	Locknut
059-203-00	1	Instruction Sheet

9K 42.25" Multi-Axle

Conversion Kit HAP-205-02

Part No.	Qty	Description
029-039-04	2	Center Hanger
013-118-03	2	Equalizer
007-181-00	2	Spring Eye Bolt
007-007-00	2	Keeper Bolt
007-182-00	2	Equalizer Bolt
006-038-00	2	Locknut
006-011-00	2	Locknut
006-112-00	2	Locknut
059-203-00	1	Instruction Sheet

9K 48.5" Multi-Axle

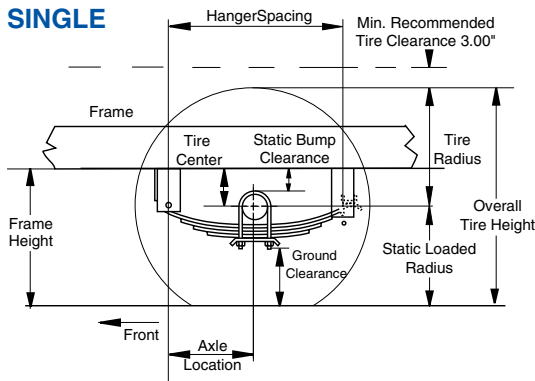
Conversion Kit HAP-205-03

Part No.	Qty	Description
029-039-04	2	Center Hanger
013-119-03	2	Equalizer
007-181-00	2	Spring Eye Bolt
007-007-00	2	Keeper Bolt
007-182-00	2	Equalizer Bolt
006-038-00	2	Locknut
006-011-00	2	Locknut
006-112-00	2	Locknut
059-203-00	1	Instruction Sheet

Suspension Dimensions— Kits for 2½" Wide Springs ¾" Spring Eye Bolts



SINGLE



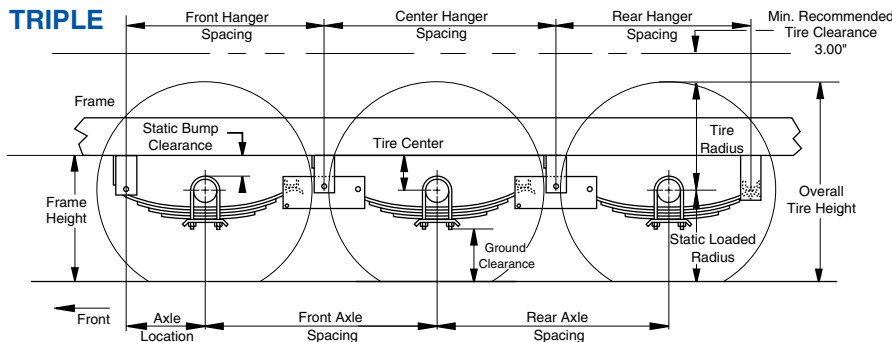
10K GD Single Axle HAP-158-00

Part No.	Qty	Description
028-074-02	2	Hanger
030-061-01	2	Rear Hanger
007-264-00	2	Spring Eye Bolt
006-113-00	2	Locknut
059-203-00	1	Instruction Sheet

10K GD Single Axle HAP-158-00

Front Hanger Spacing	27.4
Static Bump Clearance	1.9
Tire Center	5.0
Axle Location	14.0

TRIPLE



10K GD Triple Axle HAP-258-01 HAP-258-02 HAP-258-03

Front Hanger Spacing	33.0	35.1	38.3
Center Hanger Spacing	38.0	42.3	48.5
Rear Hanger Spacing	32.4	34.6	37.7
Static Bump Clearance	1.7	1.7	1.7
Tire Center	4.8	4.8	4.8
Axle Location	14.0	14.0	14.0
Front Axle Spacing	38.0	42.3	48.5
Rear Axle Spacing	38.0	42.3	48.5

10K GD Axle Assemblies

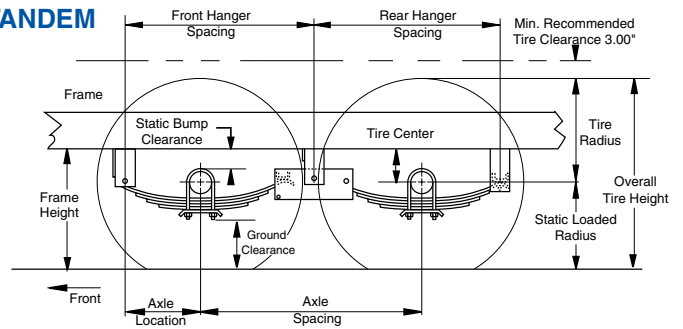
38" 42.25" 48.50"

For single axle assemblies use (1) HAP-158-00

Tandem	(1) HAP-158-00	(1) HAP-158-00	(1) HAP-158-00
	(1) HAP-258-01	(1) HAP-258-02	(1) HAP-258-03
Triple	(1) HAP-158-00	(1) HAP-158-00	(1) HAP-158-00
	(2) HAP-258-01	(2) HAP-258-02	(2) HAP-258-03

All dimensions are for underslung spring orientation only.

TANDEM



10K GD Tandem Axle

HAP-258-01 HAP-258-02 HAP-258-03

Front Hanger Spacing	33.0	35.1	38.3
Rear Hanger Spacing	32.4	34.6	37.7
Static Bump Clearance	1.7	1.7	1.7
Tire Center	4.8	4.8	4.8
Axle Location	14.0	14.0	14.0
Front Axle Spacing	38.0	42.3	48.5

10K GD 38" Multi-Axle Conversion Kit HAP-258-01

Part No.	Qty	Description
006-112-00	2	Locknut
006-113-00	2	Locknut
007-264-00	2	Spring Eye Bolt
007-169-00	2	Equalizer Bolt
013-139-03	2	Equalizer
029-042-02	2	Center Hanger
059-203-00	1	Instruction Sheet

10K GD 42.25" Multi-Axle Conversion Kit HAP-258-02

Part No.	Qty	Description
006-112-00	2	Locknut
006-113-00	2	Locknut
007-264-00	2	Spring Eye Bolt
007-169-00	2	Equalizer Bolt
013-140-03	2	Equalizer
029-042-02	2	Center Hanger
059-203-00	1	Instruction Sheet

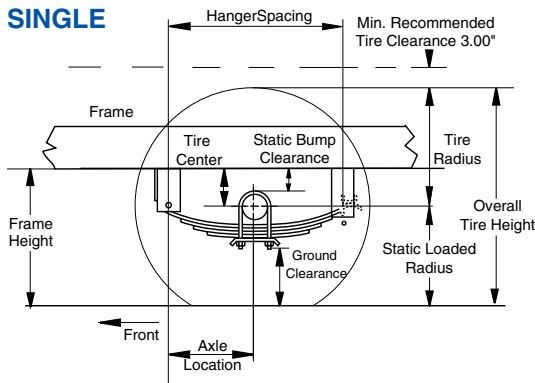
10K GD 48.5" Multi-Axle Conversion Kit HAP-258-03

Part No.	Qty	Description
006-112-00	2	Locknut
006-113-00	2	Locknut
007-264-00	2	Spring Eye Bolt
007-169-00	2	Equalizer Bolt
013-141-03	2	Equalizer
029-042-02	2	Center Hanger
059-203-00	1	Instruction Sheet

Suspension Dimensions—Kits for 3" Wide Springs



SINGLE



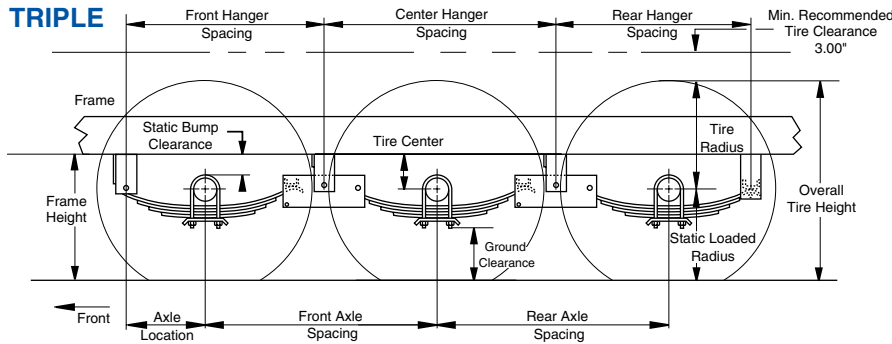
10-15K Single Axle HAP-103-00

Part No.	Qty	Description
028-067-04	2	Front Hanger
030-066-01	2	Rear Hanger
007-169-00	2	Spring Eye Bolt
007-095-00	2	Keeper Bolt
006-046-00	2	Locknut
006-112-00	2	Locknut
059-203-00	1	Instruction Sheet

10-15K Single Axle HAP-103-00

Front Hanger Spacing	27.4
Static Bump Clearance	2.9
Tire Center	6.0
Axle Location	14.0

TRIPLE



10-15K Triple Axle HAP-203-01 HAP-203-02 HAP-203-03

Front Hanger Spacing	33.0	35.1	38.3
Center Hanger Spacing	38.0	42.3	48.5
Rear Hanger Spacing	32.4	34.6	37.7
Static Bump Clearance	2.0	2.0	2.0
Tire Center	5.1	5.1	5.1
Axle Location	14.0	14.0	14.0
Front Axle Spacing	38.0	42.3	48.5
Rear Axle Spacing	38.0	42.3	48.5

10-15K Axle Assemblies

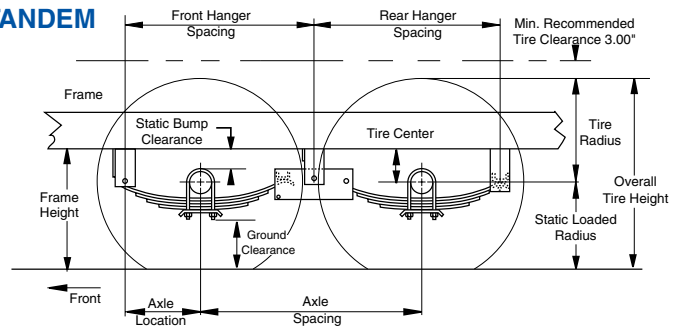
38" 42.25" 48.50"

For single axle assemblies use (1) HAP-103-00

Tandem	(1) HAP-103-00 (1) HAP-203-01	(1) HAP-103-00 (1) HAP-203-02	(1) HAP-103-00 (1) HAP-203-03
Triple	(1) HAP-103-00 (2) HAP-203-01	(1) HAP-103-00 (2) HAP-203-02	(1) HAP-103-00 (2) HAP-203-03

All dimensions are for underslung spring orientation only.

TANDEM



10-15K Tandem Axle HAP-203-01 HAP-203-02 HAP-203-03

Front Hanger Spacing	33.0	35.1	38.3
Rear Hanger Spacing	32.4	34.6	37.7
Static Bump Clearance	2.2	2.2	2.2
Tire Center	5.3	5.3	5.3
Axle Location	14.0	14.0	14.0
Front Axle Spacing	38.0	42.3	48.5

10-15K 38" Multi-Axle Conversion Kit HAP-203-01

Part No.	Qty	Description
029-043-02	2	Center Hanger
013-107-07	2	Equalizer
007-169-00	2	Spring Eye Bolt
007-095-00	2	Keeper Bolt
007-170-00	2	Equalizer Bolt
006-046-00	2	Locknut
006-072-00	2	Locknut
006-112-00	2	Locknut
059-203-00	1	Instruction Sheet

10-15K 42.25" Multi-Axle Conversion Kit HAP-203-02

Part No.	Qty	Description
029-043-02	2	Center Hanger
013-108-03	2	Equalizer
007-169-00	2	Spring Eye Bolt
007-095-00	2	Keeper Bolt
007-170-00	2	Equalizer Bolt
006-046-00	2	Locknut
006-072-00	2	Locknut
006-112-00	2	Locknut
059-203-00	1	Instruction Sheet

10-15K 48.5" Multi-Axle Conversion Kit HAP-203-03

Part No.	Qty	Description
029-043-02	2	Center Hanger
013-109-03	2	Equalizer
007-169-00	2	Spring Eye Bolt
007-095-00	2	Keeper Bolt
007-170-00	2	Equalizer Bolt
006-046-00	2	Locknut
006-072-00	2	Locknut
006-112-00	2	Locknut
059-203-00	1	Instruction Sheet