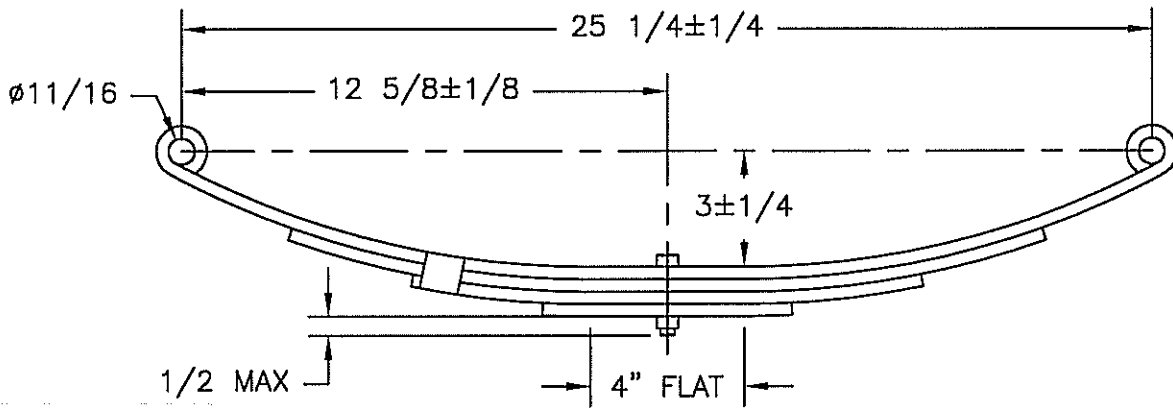


DUE DATE:

ORDER NO.



BILL OF MATERIAL

	DATE	OPERATOR	QTY	HEAT #
SHEAR				GRADE
EYE				BUNDLE TAG#
PUNCH				DIE# 2055-INV    EEF 25.25x3
QTY	BIN			PR4B