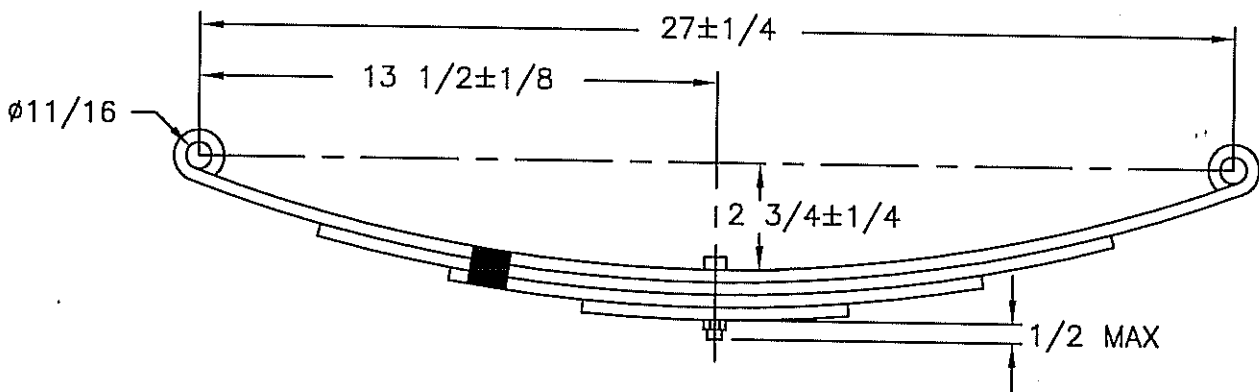


ORDER NO.



SPECIAL INSTRUCTIONS

QTY

BILL OF MATERIAL

UT

	DATE	OPERATOR	QTY	HEAT #	EMCO INDUSTRIES CLAREMORE, OK 74019 DEFL RATE: 1000-1200 CAPACITY: 1500 DEFLECTION: 1 1/4 WEIGHT: 11.56 DWG DATE: 06-23-93
SHEAR				GRADE	
EYE				BUNDLE TAG#	
PUNCH				DIE# 1160-INV EE 27x2.75	
QTY	BIN		PR-427		