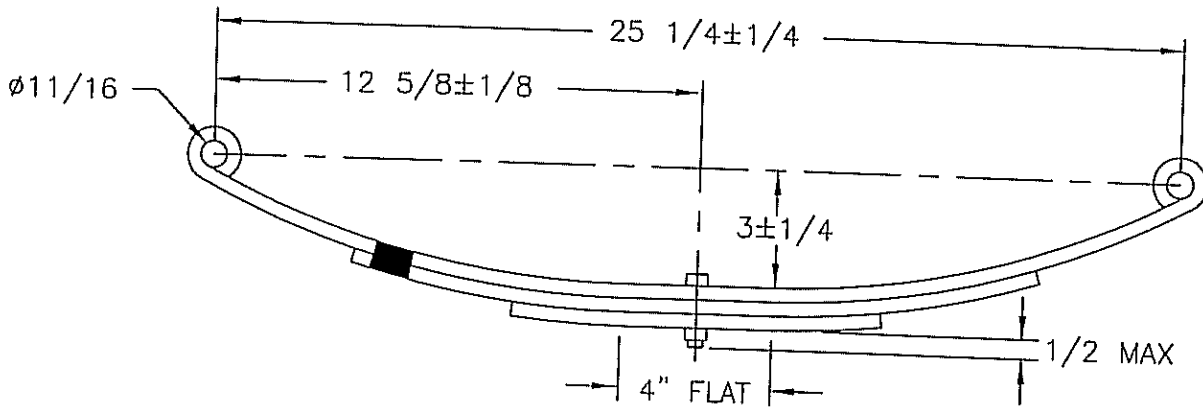


DUE DATE:

ORDER NO.



SPECIAL INSTRUCTIONS

PR-3EZ : INSTALL (4) W-26 FLANGE BUSHING

QTY

BILL OF MATERIAL

#	MATERIAL	SHEAR	CLIP	PUNCH LOCATION	CLIP	SHEAR INST.
1						
2			X			X
3			X			X

DATE	OPERATOR	QTY	HEAT #	EMCO SPRING
			GRADE	CLAREMORE, OK 74018
SHEAR			BUNDLE TAG#	DEFL RATE: 1300-1500
EYE			DIE# 2530	CAPACITY: 1750
PUNCH			2030	DEFLECTION: 1 1/4
QTY				EEF 25.25x3
BIN				DWG DATE: 06-14-94
PR-3,				