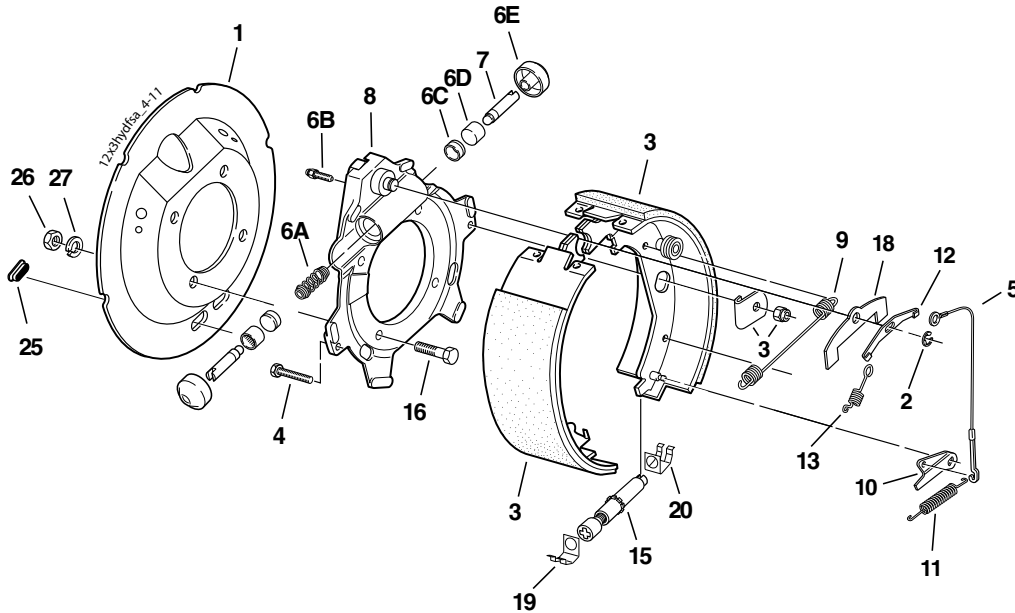


12¼" x 3⅜" 8K Hydraulic Brake FSA



ABS Parts Available

8000 LBS. CAPACITY



Hydraulic Brake

Item	Part No.	Qty/Brk	Description
+0	K23-418-00	1	LH Complete Brake Assembly FSA US
+0	K23-419-00	1	RH Complete Brake Assembly FSA US
0	K23-402-00	1	LH Complete Brake Assembly FSA DS (shown)
0	K23-403-00	1	RH Complete Brake Assembly FSA DS
*1	036-115-20	1	Dust Shield
2	069-053-00	1	Retainer
3	K71-165-00	1	LH Shoe & Lining Kit Contains: 1 #040-199-01 LH Primary Shoe & Lining 1 #040-199-02 LH Secondary Shoe & Lining 2 #005-107-00 Shoe Hold Down Washer 2 #006-086-00 Locknut
3	K71-166-00	1	RH Shoe & Lining Kit Contains: 1 #040-200-01 RH Primary Shoe & Lining 1 #040-200-02 RH Secondary Shoe & Lining 2 #005-107-00 Shoe Hold Down Washer 2 #006-086-00 Locknut
4	007-113-00	2	Shoe Hold Down Screw
5	071-462-00	1	Adjuster Cable
6	K71-080-00	1	Wheel Cylinder Kit (1.00" Bore) Contains: 1 #046-130-00 Spring 2 #054-032-00 Boot 2 #054-041-00 Piston 2 #054-085-00 Cup 1 #054-035-00 Bleeder Screw
7	054-033-00	1 or 2	Cylinder Push Rod US (1) DS (2)
8	036-064-06	1	LH Spider Assembly US (incl. items #4, 6, 7)
8	036-064-07	1	RH Spider Assembly US (incl. items #4, 6, 7)
8	036-064-03	1	Spider Assembly (incl. items #4, 6, 7) DS
9	046-087-00	1	Retractor Spring
10	071-464-00	1	LH Adjuster Lever
10	071-463-00	1	RH Adjuster Lever
11	046-135-00	1	LH Adjuster Spring
11	046-134-00	1	RH Adjuster Spring
12	071-456-00	1	Cable Attachment Bracket
13	046-131-01	1	Extension Spring
15	048-019-00	1	LH Adjuster Assembly
15	048-020-00	1	RH Adjuster Assembly
*16	007-097-00	4	Brake Mounting Bolt
18	034-062-00	1	Piston Stop
19	046-132-00	1	Adjuster Clip (thread end)
20	046-133-00	1	Adjuster Clip (barrel end)
*25	046-007-00	2	Adjuster Slot Plug
*26	006-129-00	4	Brake Mounting Nut
*27	005-058-00	4	Lock Washer

Hydraulic Brake – Corrosion Resistant Duo-Servo Only

Item	Part No.	Qty/Brk	Description
0	K23-420-00	1	LH Complete Brake Assembly FSA
0	K23-421-00	1	RH Complete Brake Assembly FSA
*1	036-115-20	1	Dust Shield
2	069-053-00	1	Retainer
3	K71-437-00	1	LH Shoe & Lining Kit Contains: 1 #040-199-05 LH Primary Shoe & Lining 1 #040-199-06 LH Secondary Shoe & Lining 2 #005-107-02 Shoe Hold Down Washer 2 #006-086-00 Locknut
3	K71-438-00	1	RH Shoe & Lining Kit Contains: 1 #040-200-05 RH Primary Shoe & Lining 1 #040-200-06 RH Secondary Shoe & Lining 2 #005-107-02 Shoe Hold Down Washer 2 #006-086-00 Locknut
4	007-113-01	2	Shoe Hold Down Screw
5	071-462-00	1	Adjuster Cable
6A	046-130-00	1	Spring
6B	054-035-00	1	Bleeder Screw
6C	054-085-00	2	Cup
6D	054-083-00	2	Piston
6E	054-032-00	2	Boot
7	054-033-00	2	Cylinder Push Rod
8	036-064-14	1	Spider Assembly (incl. items #4, 6, 7) DS
9	046-087-01	1	Retractor Spring
10	071-464-00	1	LH Adjuster Lever
10	071-463-00	1	RH Adjuster Lever
11	046-135-01	1	LH Adjuster Spring
11	046-134-01	1	RH Adjuster Spring
12	071-456-00	1	Cable Attachment Bracket
13	046-131-02	1	Extension Spring
15	048-019-00	1	LH Adjuster Assembly
15	048-020-00	1	RH Adjuster Assembly
*16	007-097-00	4	Brake Mounting Bolt
18	034-062-02	1	Piston Stop
19	046-132-00	1	Adjuster Clip (thread end)
20	046-133-00	1	Adjuster Clip (barrel end)
*25	046-007-00	2	Adjuster Slot Plug
*26	006-129-00	4	Brake Mounting Nut
*27	005-058-00	4	Lock Washer

* Not included with complete brake assembly. Item sold separately.
+ Uni-Servo version not shown.