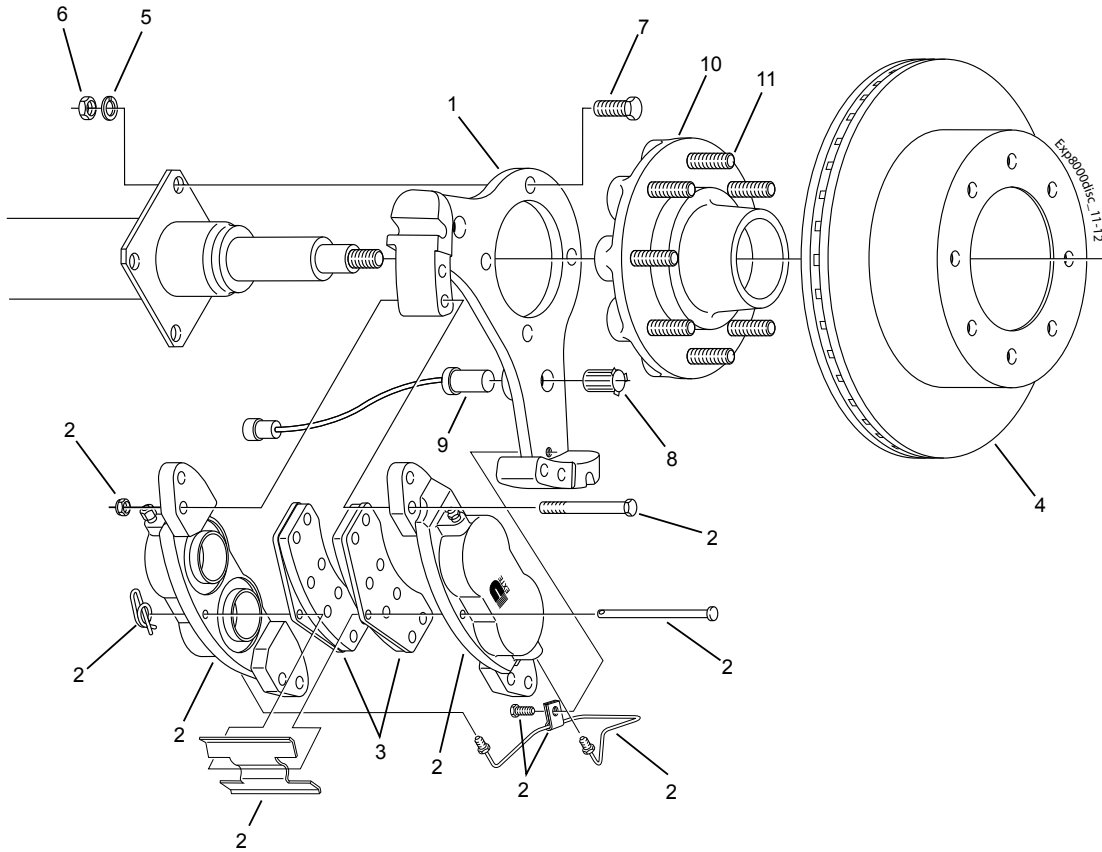


# Disc Brake for 8,000 Lb. Axles



CSA approved at 8000#/14.0 SLR



## Disc Brake 8000#

Item	Part No.	Qty/Brk	Description
1	090-003-01	1	Anchor Yoke
2	K71-630-00	1	Caliper Assembly Kit for LH or RH Contains:
	4 006-045-00		Caliper Mounting Nut
	4 007-254-00		Caliper Mounting Bolt
	1 019-019-00		Cotter Ring
	1 027-060-00		Tube Clamp
	1 046-145-00		Anti-Rattle Spring
	1 054-092-00		Bleeder Screw
	1 054-094-00		Adapter Fitting
	1 056-038-00		Pad Retaining Pin
	1 071-513-00		Cross Over Hydraulic Line (yokes without notch)
	1 071-518-00		Cross Over Hydraulic Line (yokes with notch)
	1 087-002-00		Hex Bolt
	2 089-003-02		Assembled Caliper Half
3	K71-629-00	1	Brake Pad Kit (axle set)
4	K71-631-00	1	Rotor Kit
5	005-058-00	4	1/2" Lock Washer
6	006-129-01	4	1/2" Hex Nut
7	007-097-00	4	1/2" Brake Mounting Bolt
8	097-002-00	1	ABS Sensor Retaining Clip
9	097-004-00	1	ABS Sensor (straight)

## Disc Brake 8000# With 50MM Nev-R-Lube®

Item	Part No.	Qty/Brk	Description
1	090-007-01	1	Anchor Yoke
2	K71-630-00	1	Caliper Assembly Kit for LH or RH Contains:
	4 006-045-00		Caliper Mounting Nut
	4 007-254-00		Caliper Mounting Bolt
	1 019-019-00		Cotter Ring
	1 027-060-00		Tube Clamp
	1 046-145-00		Anti-Rattle Spring
	1 054-092-00		Bleeder Screw
	1 054-094-00		Adapter Fitting
	1 056-038-00		Pad Retaining Pin
	1 071-513-00		Cross Over Hydraulic Line (yokes without notch)
	1 071-518-00		Cross Over Hydraulic Line (yokes with notch)
	1 087-002-00		Hex Bolt
	2 089-003-02		Assembled Caliper Half
3	K71-629-00	1	Brake Pad Kit (axle set)
4	K71-631-00	1	Rotor Kit
5	005-058-00	4	1/2" Lock Washer
6	006-129-01	4	1/2" Hex Nut
7	007-097-00	4	1/2" Brake Mounting Bolt
8	097-002-00	1	ABS Sensor Retaining Clip
9	097-004-00	1	ABS Sensor (straight)

## Disc Brake Hubs & Studs

Item	Part No.	Qty/Brk	Description
10	008-399-05	1	Grease 3/16" Studs 8 on 6.50
10	008-399-06	1	Oil 3/16" Studs 8 on 6.50
10	008-399-07	1	Grease 5/8" Studs 8 on 6.50
10	008-399-08	1	Oil 5/8" Studs 8 on 6.50
11	007-257-00	8	3/16-18 x 2.50" Press-in Stud
11	007-115-00	8	5/8-18 x 3.16" Press-in Stud

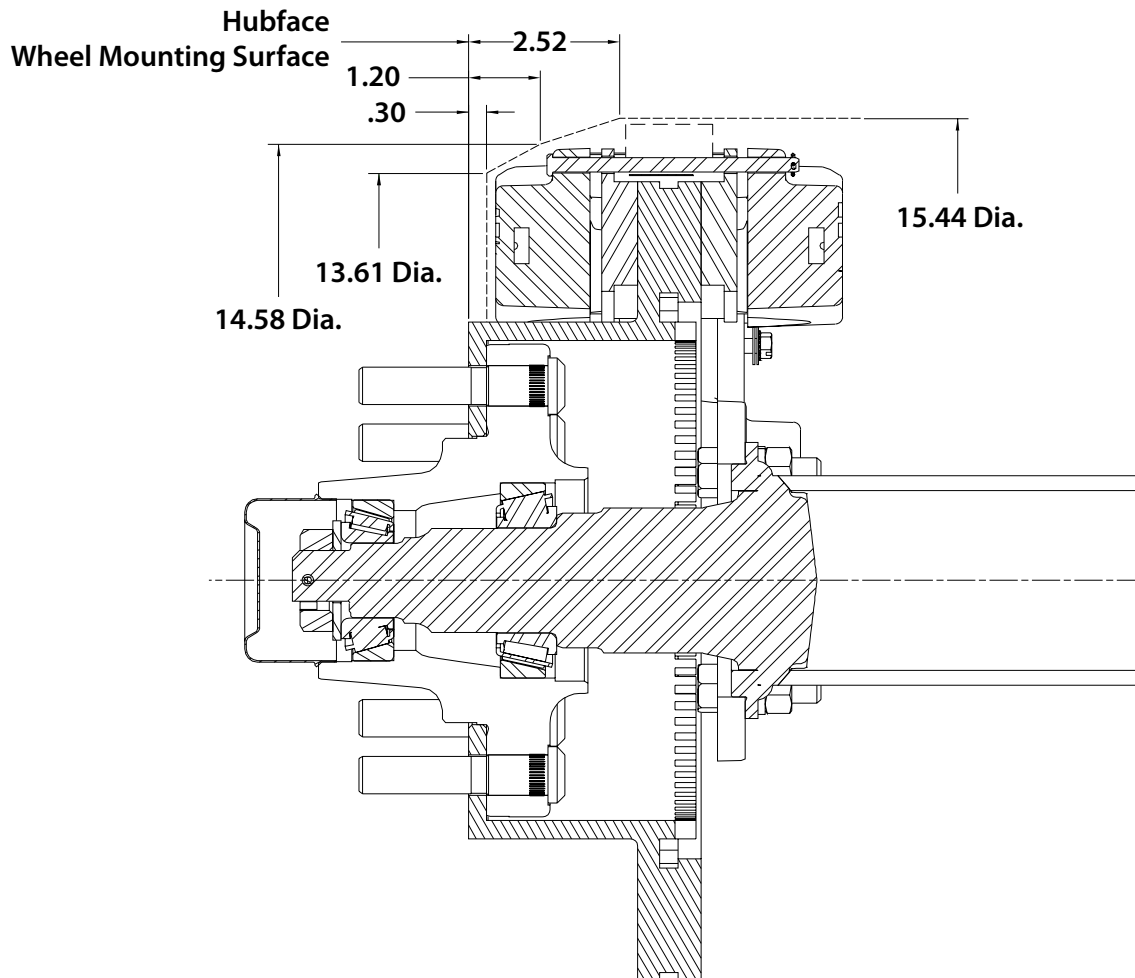
## Nev-R-Lube® Disc Brake Hubs

Item	Part No.	Qty/Brk	Description
10	008-402-80	1	3/16" Studs, 50mm 8 on 6.50
10	008-402-81	1	5/8" Studs, 50mm 8 on 6.50
11	007-257-00	8	3/16-18 x 2.50" Press-in Stud
11	007-115-00	8	5/8-18 x 3.16" Press-in Stud

# Recommended Wheel Clearance for 8,000 Lb. Disc Brake



**8000 LBS. CAPACITY**



**CAUTION:** The above hub/rotor profile shows the minimum clearance needed to insure that no part of the wheel makes contact with any brake component.

Make sure the wheel is in full contact with the hub face and does not drag against the brake caliper. If there is not full contact with the hub face, you may experience a dangerous wheel separation.