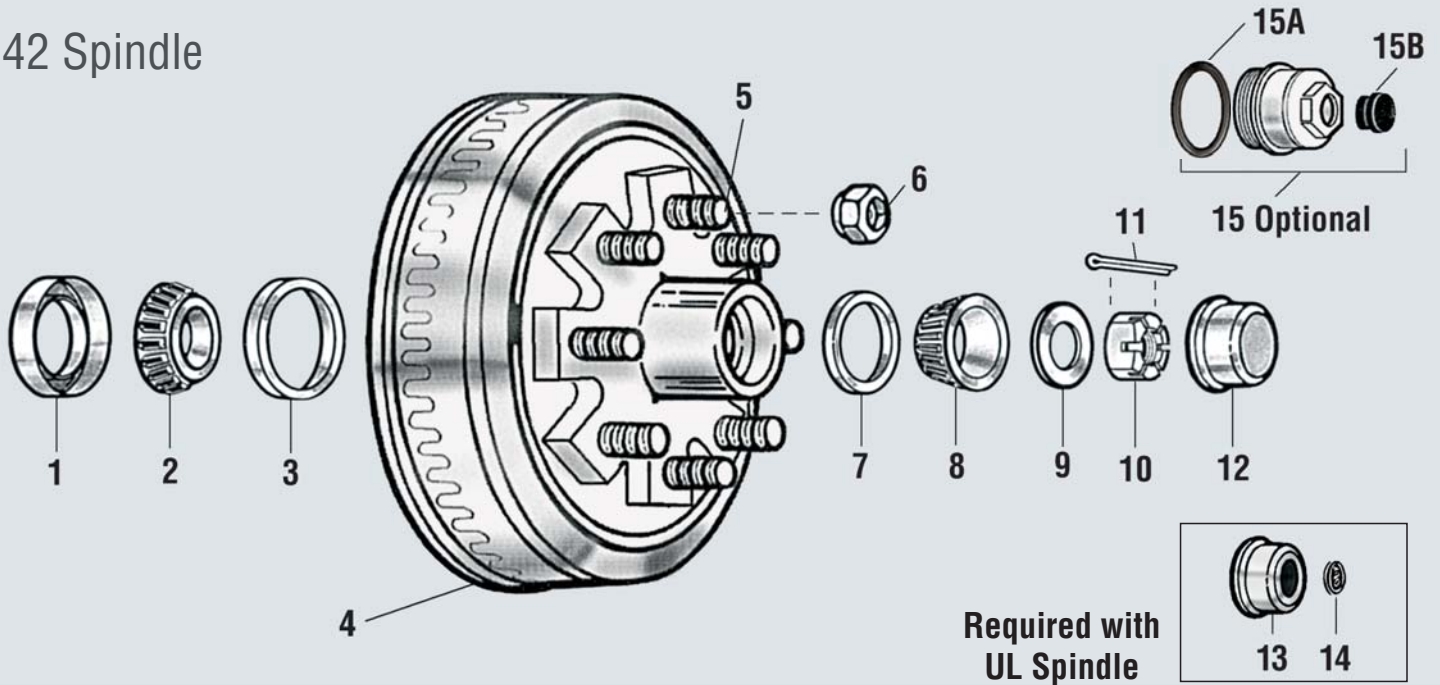


# Service Replacement Parts

## 12" x 2" Brake Drum RT-80, ST-80 and DR-80

### 42 Spindle



Required with  
UL Spindle

### Parts List

No.	Brake Part Description	AL-KO Part No.	Hayes Part No.	No.	Brake Part Description	AL-KO Part No.	Hayes Part No.
1	Oil Seal	568284	09103309	7	Outer Bearing Cup, 02420	363917	093744
2	Inner Bearing Cone 25580	363196	093703	8	Outer Bearing Cone, 02475	363604	093745
3	Inner Bearing Cup 25520	363911	093701	9	Spindle Washer	568326	090509
4	$\frac{9}{16}$ " Oil Hub & Drum	568969	—	10	Spindle Nut	363257	09060101
4A	$\frac{9}{16}$ " Grease Hub & Drum	568896	—	11	Cotter Pin	363258	091901
4B	$\frac{5}{8}$ " Oil Hub & Drum	568970	—	12	Grease Cap	363419	092110
4C	$\frac{5}{8}$ " Grease Hub & Drum	568931	—	13	Grease Cap (UL)	363775	09210103
5	Wheel Stud $\frac{9}{16}$ " - 18	363906	09251100	14	Rubber Plug (UL)	568067	09213611
5A	Wheel Stud $\frac{5}{8}$ " - 18 x 3.00"	363910	090737	15	Oil Cap Assembly	K568347	—
6	Wheel Nut $\frac{9}{16}$ " - 18 60° Cone	363895	090640	15A	O-Ring, Oil Cap	568269	—
6A	Wheel Nut $\frac{9}{16}$ " - 18 90° Cone	363698	090643	15B	Oil Cap Plug	568223	092126

#### WARNING:

AL-KO Kober Corporation manufacture hubs and drums that are compatible with many wheels used in the trailer industry that have matching bolt patterns. AL-KO does not manufacture wheels, nor do they recommend a specific wheel for compatibility with the hubs and drums they manufacture. The wheel manufacturer should be contacted for proof of compatibility before use.