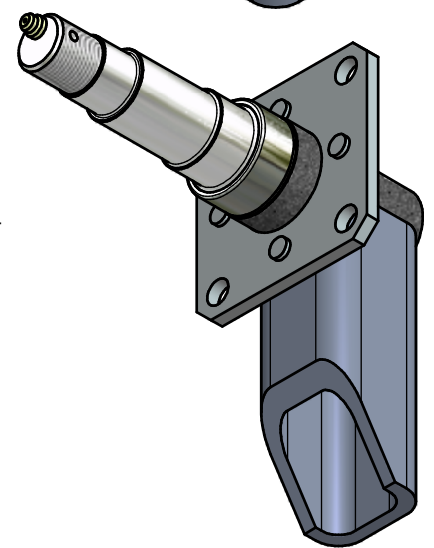
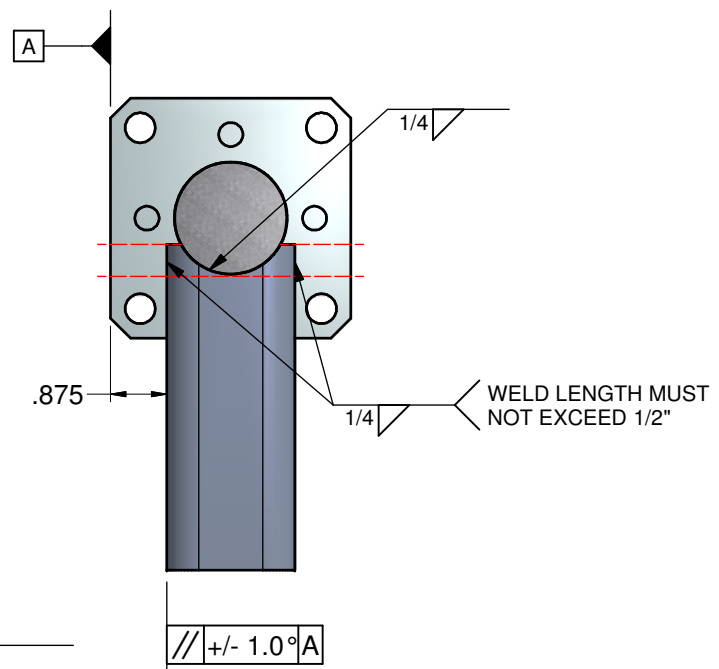
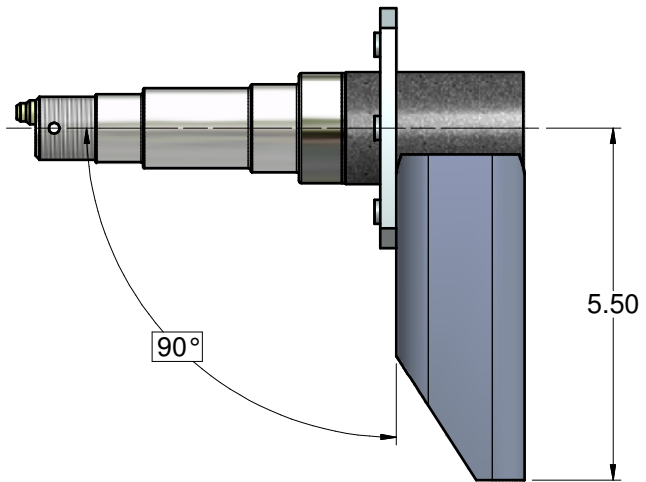
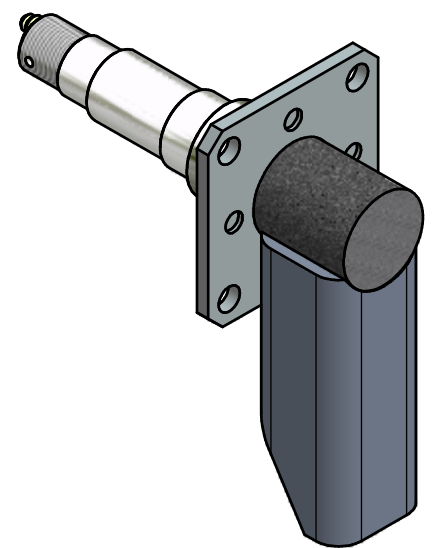
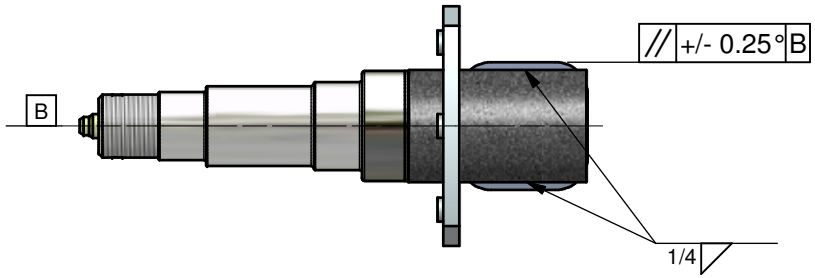


REVISION HISTORY

REV	DATE	EFFCTV.	BY	DESCRIPTION
1	11/20/2014	R.C.	JEP	REDRAWN; UPDATED COMPONENTS/PARTS LIST: 80213 (80201)
2	9/23/2015	R.C.	JEP	80775-1 (80758); PHASED OUT 80578 DROP TUBE



NOTES:

- 1.) ALL DIMENSIONS ARE IN INCHES.
- 2.) WELD TO BE FREE OF SPATTER & POROSITY w/ GOOD PENETRATION.
- 3.) BOXED DIMENSIONS INDICATE OPERATOR Q.C. CHECK.
- 4.) FINISH - NONE, PART OF GREATER WELDMENT.


Parts List

ITEM	QTY	PART NUMBER	DESCRIPTION
1	1	△ 80213	SPINDLE 1750# S/L w/W.S. & BRAKE FLNG.
2	1	△ 80775-1	5.5" "DROP" TUBE (2 X 2)
3	1	12099	SUPER LUBE GREASE ZERK

CONFIDENTIALITY NOTICE: THIS DRAWING AND ALL INFORMATION CONTAINED WITHIN IT ARE THE PROPERTY OF TIE DOWN ENGINEERING, ATLANTA, GA 30336. ALL RIGHTS ARE RESERVED.

Date:
11/19/2014
Design:
elliot.patton
Approved:

Unspecified Tolerances:
Fractions ± 1/32
Decimal ± .06
Decimal ± .030
Angles ± 0.25°
Holes ± .008

 **Tie Down Engineering**
5901 Wheaton Drive Atlanta Georgia 0336

1750# 4.25" DROP SPINDLE, SUPER LUBE

WELDMENT

Part No.: 80763A Page: 1 of 1 Rev.: 2