

## Axle Types

### 5500-7000 Lbs. Capacity

- Complete service manual
- Precision machined, forged steel spindles
- Precision machined integral cast iron hub/drums
- 8-bolt and 5 bolt (UTG) hubs available
- Standard grease; optional oil bath; E-Z Lube® or Nev-R-Lube® option
- Press-in wheel studs (8-bolt)
- 12" x 2" electric brakes, CSA approved at 7000 lbs, 12" x 2" hydraulic brakes
- Brakes are available with and without parking feature
- Hydraulic free backing brakes available
- Hydraulic brakes - uni-servo and duo-servo available



## D60 & D70 LEAF SPRING



- High quality alloy steel springs in a variety of capacities
- Single, tandem, or triple axle assemblies with equalized suspensions
- Slipper spring or double eye leaf spring suspension
- Optional hanger and attaching parts kits available
- Durable, wear-resistant components
- Inner wiring system for easier installation and protection of brake wiring
- Heavy wall 3" diameter tube
- Straight or Drop spindles (4" drop only)
- 2 year limited warranty

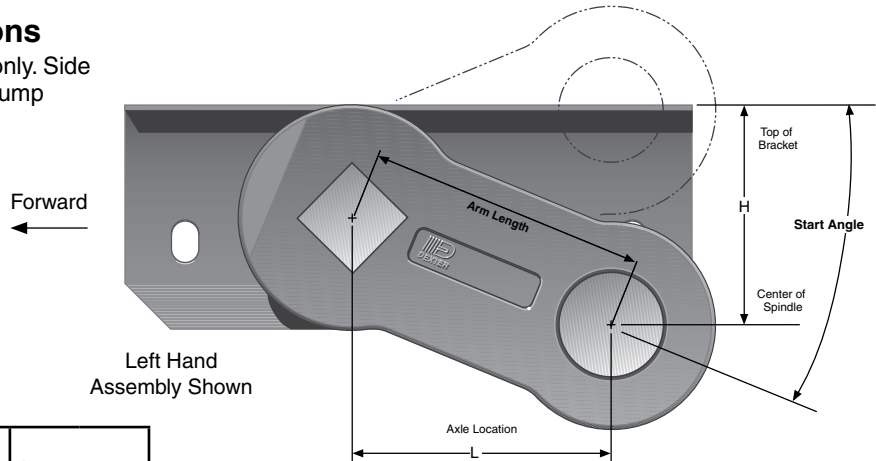
- Totally rubber-cushioned for smooth, quiet, independent ride
- Easy installation with less maintenance
- Less transfer of road shock which insulates cargo from road shocks and vibration
- Self-damping action
- Load-carrying cross member
- Rubber cords compounded for maximum dependability and durability
- Independent wheel suspension system
- 5 year limited warranty on suspension system
- Low profile for maximum road clearance
- Various starting angles to control trailer height
- High and low profile brackets with optional mounting brackets are available
- Rubber cushioning eliminates metal-to-metal contact
- Shock absorption provided by the natural hysteresis of rubber
- Single or tandem axle assemblies
- Durable, wear-resistant components

**CAUTION:** Triple axle assemblies are NOT recommended for Torflex® axles.



## Articulation Dimensions

Dimensions are for top mount only. Side mount is .31" higher. Allow 3" bump clearance from full load.



Start Angle	Bracket Profile	No Load		Full Load		Shock Load	
		H	L	H	L	H	L
45° Down	Low	6.24	4.24	4.30	5.54	3.30	5.86
	High	6.99	4.24	5.05	5.54	4.05	5.86
22.5° Down	Low	4.30	5.54	2.00	6.00	0.96	5.91
	High	5.05	5.54	2.75	6.00	1.71	5.91
10° Down	Low	3.04	5.91	0.70	5.86	-0.30	5.54
	High	3.79	5.91	1.45	5.86	0.45	5.54
0°	Low	2.00	6.00	-0.30	5.54	-1.22	5.06
	High	2.75	6.00	0.45	5.54	-0.47	5.06
10° Up	Low	0.96	5.91	-1.22	5.06	-2.05	4.42
	High	1.71	5.91	-0.47	5.06	-1.30	4.42
22.5° Up	Low	-0.30	5.54	-2.24	4.24	-2.91	3.44
	High	0.45	5.54	-1.49	4.24	-2.16	3.44

### #12 Overhang Per Side

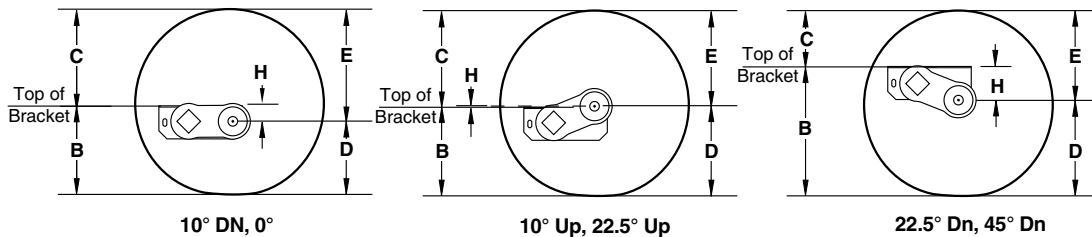
Spindle	Min.	Max.
Short	7.00"	15.20"
Standard	7.50"	15.20"

**Note:** Positive numbers in the H column indicate the spindle is BELOW the top of the bracket. Conversely, negative numbers are ABOVE the top of the bracket.



## Full Load Dimensions

Dimensions are for low profile, top mount only. High profile brackets are .75" higher. Side mount is .31" higher. Allow 3" bump clearance from full load.



### Start Angle

Tire	* **		45° Down			22.5° Down			10° Down			0°			10° Up			22.5° Up		
	D	E	H	B	C	H	B	C	H	B	C	H	B	C	H	B	C	H	B	C
LT235/85R16	14.3	15.4	4.3	18.6	11.1	2.0	16.3	13.4	0.7	15.0	14.7	-0.3	14.0	15.7	-1.2	13.1	16.6	-2.2	12.1	17.6
7.50-16LT	14.9	16.7	4.3	19.2	12.4	2.0	16.9	14.7	0.7	15.6	16.0	-0.3	14.6	17.0	-1.2	13.7	17.9	-2.2	12.7	18.9
9.50-16.5LT	14.1	15.2	4.3	18.4	10.9	2.0	16.1	13.2	0.7	14.8	14.5	-0.3	13.8	15.5	-1.2	12.9	16.4	-2.2	11.9	17.4

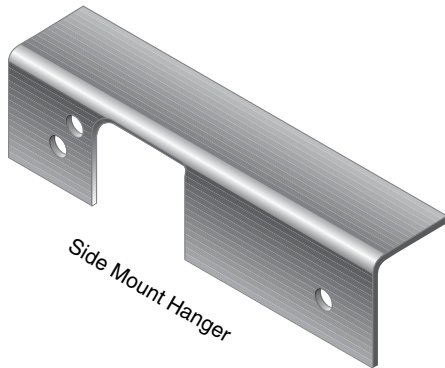
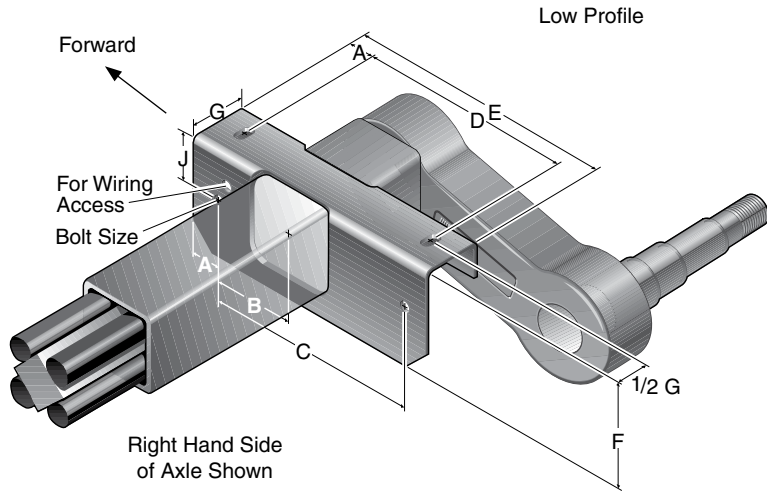
Columns D and E are dimensional examples only:

\* D – Static Loaded Radius

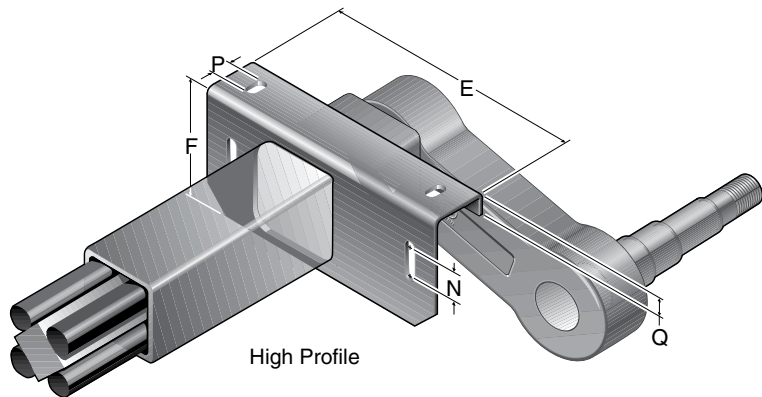
\*\* E – Inflated Radius



## **12** Bracket Dimensions



#12 Bracket Dimensions		
	Low	High
A	1.25	1.25
B	3.50	3.50
C	9.50	9.50
D	9.00	9.00
E	12.00	12.00
F	4.37	5.12
G	2.50	2.50
J	2.06	2.06
N	----	1.03
P	----	1.00
Q	----	1.00
Bolt Size	5/8" bolt	
Tube Size	3.50	3.50



# Leaf Spring Application Information



## Double Eye Springs

**For Standard 33" Axle Spacing**  
 Single A/P-122-00  
 Tandem A/P-233-00  
 Triple A/P-335-00

	Spring Length		
	21"	24"	26"
A	19.62	23.50	25.75
B	25.00	27.50	29.50
C	28.75	31.00	33.00
D	10.62	12.00	13.00
E	28.75	31.00	33.00

**For Optional 35" Axle Spacing**  
 Tandem A/P-264-00  
 Triple A/P-364-00

	Spring Length		
	21"	24"	26"
B	26.00	28.50	30.50
C	30.80	33.00	35.00
D	10.62	12.00	13.00
E	30.80	33.00	35.00

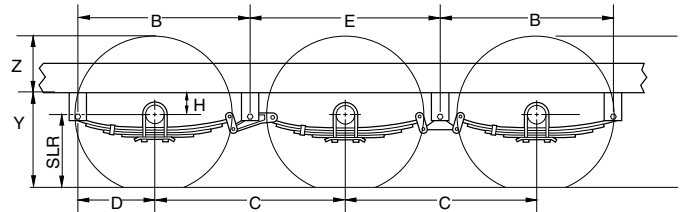
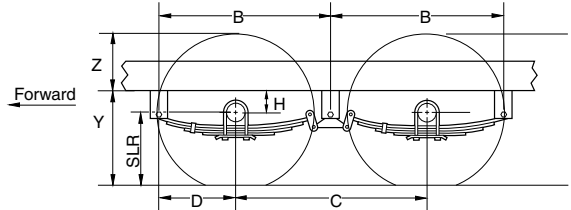
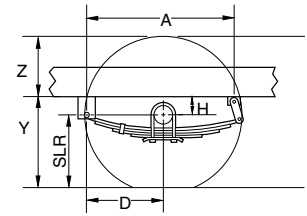
## D60 Overhang Per Side

	Min.	Disc.*	Max.
Straight	6.63"	9.00"	10.00"
4" Drop	7.87"	N/A	9.50"
Nev-R-Lube®	6.19"	9.00"	10.00"

\* Minimum overhang with disc brakes

## D70 Overhang Per Side

	Min.	Max.
Straight	6.63"	9.00"
4" Drop	7.87"	9.00"
Nev-R-Lube®	6.37"	9.00"



## Double Eye Axle Assemblies

### Hanger Kits

Part No.	Description	Height	Quantity Per Kit				
			HGR-104-00	HGR-105-00	HGR-248-00	HGR-249-00	HGR-348-00
028-005-00	Hanger	3.25"	2	---	4	2	4
028-006-00	Front Hanger	1.44"	---	2	---	---	---
029-008-00	Front Hanger	2.06"	---	---	---	4	---
029-031-00	Center Hanger	3.62"	---	---	2	---	4
030-020-00	Rear Hanger	.91"	2	2	---	---	---

### Attaching Parts Kits

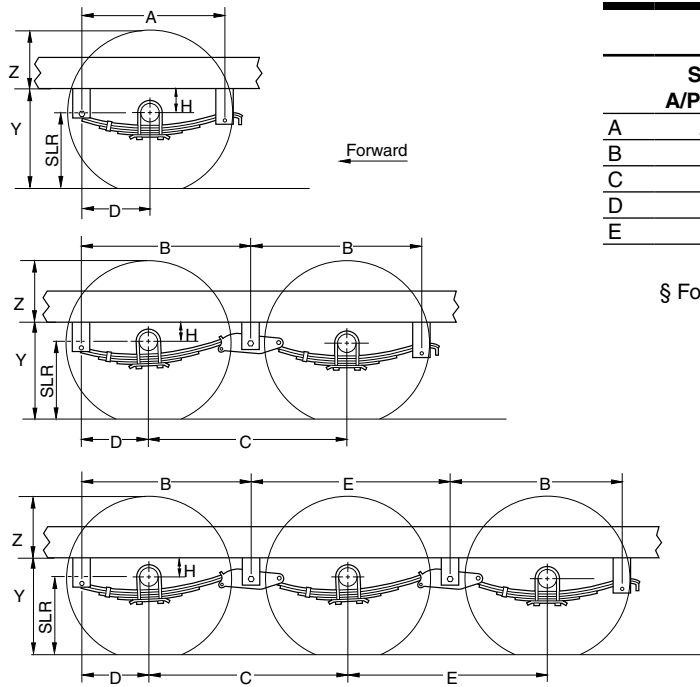
Part No.	Description	A/P-122-00	A/P-233-00	A/P-264-00†	A/P-335-00	A/P-364-00†
		006-092-01	Flange Locknut	6	14	14
007-126-00	Shackle Bolt	2	6	6	10	10
013-104-02	Equalizer	---	2	---	2	---
013-105-02	Equalizer	---	---	---	2	---
013-122-02	Equalizer	---	---	2	---	2
013-126-02	Equalizer	---	---	---	---	2
018-011-00	Shackle Link	---	4	4	6	6
018-012-00	Shackle Link, Long	2	---	---	---	---
018-020-00	Shackle Link Assembly	---	4	4	6	6
018-021-00	Shackle Link Assembly, Long	2	---	---	---	---

† For 35" axle spacing using 26" springs

# Leaf Spring Application Information



**5500 - 7000 LBS. CAPACITY**



## Slipper Springs

	Single A/P-103-00	Tandem A/P-202-00 <sup>§</sup> A/P-216-00 <sup>‡</sup>	Triple A/P-302-00 <sup>§</sup> A/P-316-00 <sup>‡</sup>
A	24.0	----	----
B	----	28.8 30.4	28.8 30.4
C	----	33.5 36.0	33.5 36.0
D	11.5	11.5 11.5	11.5 11.5
E	----	----	33.0 35.0

**Note:** All 2" wide slipper springs  
<sup>§</sup> For 33.5" axle spacing      <sup>‡</sup> For 36" axle spacing

A, B, E – Hanger Spacing  
 C – Axle Spacing  
 D – Axle Location  
 H – Center of Spindle  
 Y – Frame Height  
 Z – Top of Tire to Bottom of Frame  
 SLR – Static Load Radius

To determine these values, contact your local sales engineer or distributor to run ProSpec™.

## Slipper Spring Axle Assemblies

Hanger Kits			Quantity Per Kit		
Part No.	Description	Height	HGR-110-00	HGR-202-00	HGR-302-00
028-001-00	Front Hanger	4.25"	2	2	2
029-001-00	Center Hanger	3.50"	----	2	4
030-028-00	Rear Hanger	4.00"	2	2	2

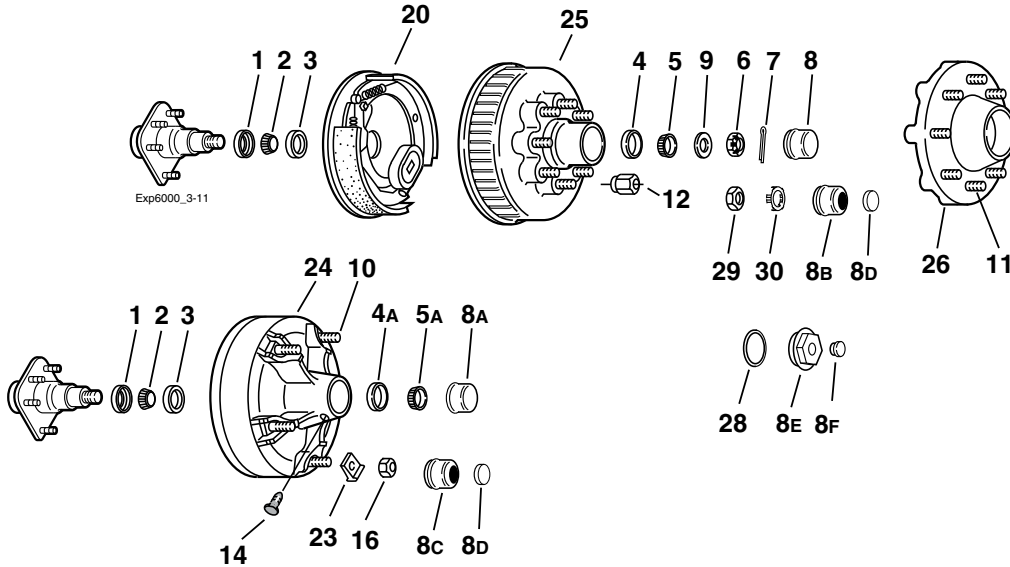
Attaching Parts Kits		A/P-103-00	A/P-202-00 <sup>§</sup>	A/P-216-00 <sup>‡</sup>	A/P-302-00 <sup>§</sup>	A/P-316-00 <sup>‡</sup>
006-007-01	1/16-18 Locknut	2	4	4	6	6
006-011-00	Keeper Nut	2	4	4	6	6
006-111-00	Equalizer Nut	----	2	2	4	4
007-001-01	Equalizer Bolt	----	2	2	4	4
007-007-00	Keeper Bolt	2	4	4	6	6
007-017-00	Spring Eye Bolt	2	4	4	6	6
013-004-00	Equalizer	----	2	----	4	----
013-044-01	Equalizer	----	----	2	----	4

<sup>§</sup> For 33.5" axle spacing

<sup>‡</sup> For 36" axle spacing

Some combinations of hangers and spring mountings may result in insufficient bump clearance. Refer to the Miscellaneous section for additional hanger kits, A/P kits, or other tires.

# 865 and Demountable Hub Group



## Grease Lube Parts

Item	Part No.	Description
1	010-054-00	Grease Seal 2.25"
1	010-036-00	E-Z Lube® Seal 2.25"
2	031-030-02	25580 Inner Bearing Cone
3	031-030-01	25520 Inner Bearing Cup
4	031-017-01	14276 Outer Bearing Cup - 865 Hub
4A	031-029-01	15245 Outer Bearing Cup - Demountable
5	031-017-02	14125A Outer Bearing Cone - 865 Hub
5A	031-029-02	15123 Outer Bearing Cone - Demountable
6	006-176-00	Spindle Nut
7	019-002-00	Cotter Pin (not used with E-Z Lube®)
8	021-039-00	Grease Cap - 865 Hub
8A	021-001-00	Grease Cap - Demountable
8B	021-043-01	Grease Cap for E-Z Lube® - 865 Hub
8B	021-043-02	Grease Cap E-Z Lube® Chrome Option - 865 Hub
8C	021-042-01	Grease Cap for E-Z Lube® - Demountable
8C	021-042-02	Grease Cap for E-Z Lube® Chrome Option - Dem.
8D	085-001-00	E-Z Lube® Rubber Plug
9	005-057-00	Spindle Washer
16	006-005-00	1/16-18 Nut for Rim Clamp
23	015-002-00	Rim Clamp
29	006-191-00	Special Jam Nut for E-Z Lube® (after 2002)
30	006-190-00	Spindle Nut Retainer for E-Z Lube® (after 2002)

## Oil Lube Parts

Item	Part No.	Description
1	010-063-00	Oil Seal 2.25"
2	031-030-02	25580 Inner Bearing cone
3	031-030-01	25520 Inner Bearing Cup
4	031-017-01	14276 Outer Bearing Cup - 865 Hub
4	031-029-01	15245 Outer Bearing Cup - Demountable
5	031-029-02	15123 Outer Bearing Cone
5	031-017-02	14125A Outer Bearing Cone
6	006-176-00	Spindle Nut
7	019-002-00	Cotter Pin
8E	021-035-00	Oil Cap - 865 Hub
ns	021-040-00	Oil Cap - Demountable
8F	046-032-00	Oil Cap Plug
9	005-057-00	Spindle Washer
14	046-052-00	Oil Filler Plug - 865 and Demountable
ns	046-032-00	Oil Cap Plug
16	006-005-00	1/16-18 Nut for Rim Clamp
23	015-002-00	Rim Clamp
28	010-045-00	865 'O' Ring
ns	010-059-00	Demountable 'O' Ring

Note: Spindle is not available for resale.

6 on 5.5 hubs are available on these axles.

See section in 4000-6000 lbs. capacity.

## Hubs

Item	Part No.	Description	Bolt Circle
<b>Hubs/Drums</b>			
24	008-174-05	Grease 1/16" Stud	Demountable
24	008-174-06	Oil 1/16" Stud	Demountable
25	008-219-04	Grease 1/2" Stud	8 on 6.50
25	008-219-13	Grease 1/16" Stud	8 on 6.50
25	008-219-18	Grease 5/8" Stud	8 on 6.50
25	008-219-09	Oil 1/2" Stud	8 on 6.50
25	008-219-20	Oil 1/16" Stud	8 on 6.50
25	008-219-26	Oil 5/8" Stud	8 on 6.50
<b>Plain Hubs</b>			
26	008-231-09	Grease 1/2" Stud	8 on 6.50
26	008-231-18	Grease 1/16" Stud	8 on 6.50
26	008-231-20	Grease 5/8" Stud	8 on 6.50
26	008-231-16	Oil 1/2" Stud	8 on 6.50

## Brakes

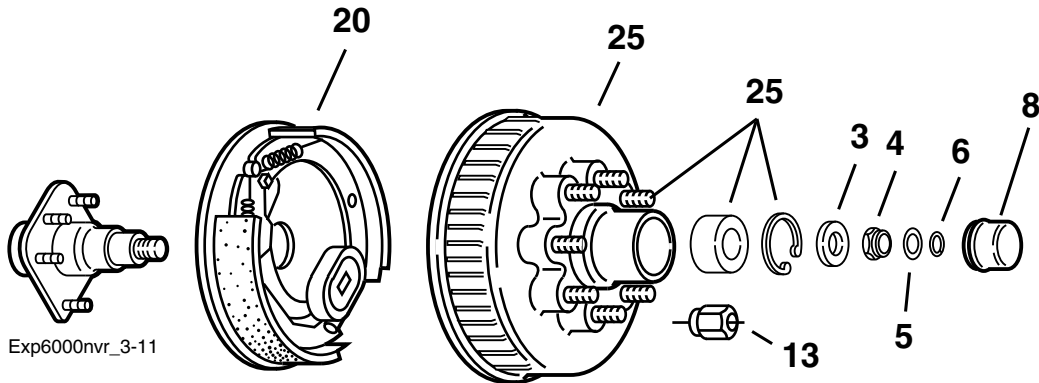
Item	Part No.	Description
20	K23-105-00/K23-106-00	LH/RH Electric 6K
ns	K23-112-00/K23-113-00	LH/RH Electric w/park
ns	K23-326-00/K23-327-00	LH/RH Electric 6K CSA
ns	K23-328-00/K23-329-00	LH/RH Electric 6K CSA w/park
ns	K23-180-00/K23-181-00	LH/RH Electric 7K
ns	K23-338-00/K23-339-00	LH/RH Hydraulic Uni-servo 7K
ns	K23-334-00/K23-335-00	LH/RH Hydraulic Uni-servo 7K w/park
ns	K23-336-00/K23-337-00	LH/RH Hydraulic Duo-servo 7K
ns	K23-332-00/K23-333-00	LH/RH Hydraulic Duo-servo 7K w/park
ns	K23-342-00/K23-343-00	LH/RH Hydraulic Uni-servo 7K FB
ns	K23-340-00/K23-341-00	LH/RH Hydraulic Uni-servo 7K FB w/park
ns	K23-342-01/K23-343-01	LH/RH Hydraulic Uni-servo 7K FB
ns	K23-340-01/K23-341-01	LH/RH Hydraulic Uni-servo 7K FB w/park
ns	K23-458-00/K23-459-00	LH/RH Electric Nev-R-Adjust®
ns	K23-466-00/K23-467-00	LH/RH Electric 6K CSA Nev-R-Adjust®

## Studs & Wheel Nuts

Item	Part No.	Description
10	025-011-00	1/16-18 Stud - UTG
11	007-122-00	1/2-20 x 1.84 Long Press-in Stud* (hubs before 1/04)
11	007-262-00	1/2-20 x 2.50 Long Press-in Stud* (hubs after 1/04)
12	006-080-00	1/2-20 60° Cone Nut
ns	007-132-00	1/16-18 Press-in Stud
ns	006-053-00	1/16-18 60° Cone Nut
ns	007-232-00	5/8-18 Press-in Stud
ns	006-109-00	5/8-18 60° Cone Nut

ns - not shown

\* Stud length measured under head to end of stud.



### Nev-R-Lube® Parts

Item	Part No.	Description
ns	005-147-01	Spindle Washer, 42mm
3	005-149-00	Spindle Washer, 50mm
4	006-183-00	Spindle Nut
5	092-002-00	Washer, Torque Label
6	069-096-00	Snap Ring
ns	021-085-00	Grease Cap, 42mm
8	021-086-00	Grease Cap, 50mm

### 12" x 2" Brakes

Item	Part No.	Description
20	K23-105-00/K23-106-00	LH/RH Electric
ns	K23-180-00/K23-181-00	LH/RH Electric 7K
ns	K23-338-00/K23-339-00	LH/RH Hydraulic Uni-servo, 7K
ns	K23-334-00/K23-335-00	LH/RH Hydraulic Uni-servo w/park, 7K
ns	K23-336-00/K23-337-00	LH/RH Hydraulic Duo-servo, 7K
ns	K23-332-00/K23-333-00	LH/RH Hydraulic Duo-servo w/park, 7K
ns	K23-342-00/K23-343-00	LH/RH Hydraulic Free Backing, 7K
ns	K23-340-00/K23-341-00	LH/RH Hydraulic 7K FB w/park
ns	K23-326-00/K23-327-00	LH/RH Electric 6K CSA
ns	K23-458-00/K23-459-00	LH/RH Electric Nev-R-Adjust®
ns	K23-466-00/K23-467-00	LH/RH Electric 6K CSA Nev-R-Adjust®

ns - not shown

Note: Spindle is not available for resale.

### Hubs With Bearing and Wheel Studs

Item	Part No.	Description	Bolt Circle
ns	008-388-80	Hub and Drum includes: 007-122-00 ½-20 Press-in Studs 031-073-03 42mm Bearing Cartridge 069-095-00 Bearing Retainer	6 on 5.50
25	008-385-82	Hub and Drum includes: 007-122-00 ½-20 Press-in Studs 031-071-03 50mm Bearing Cartridge 069-093-00 Bearing Retainer	8 on 6.50
ns	008-385-81	Hub and Drum includes: 007-223-00 9/16-18 Press-in Studs 031-071-03 50mm Bearing Cartridge 069-093-00 Bearing Retainer	8 on 6.50
ns	008-385-80	Hub and Drum includes: 007-224-00 9/16-18 Press-in Studs 031-071-03 50mm Bearing Cartridge 069-093-00 Bearing Retainer	8 on 6.50

### Wheel Nuts

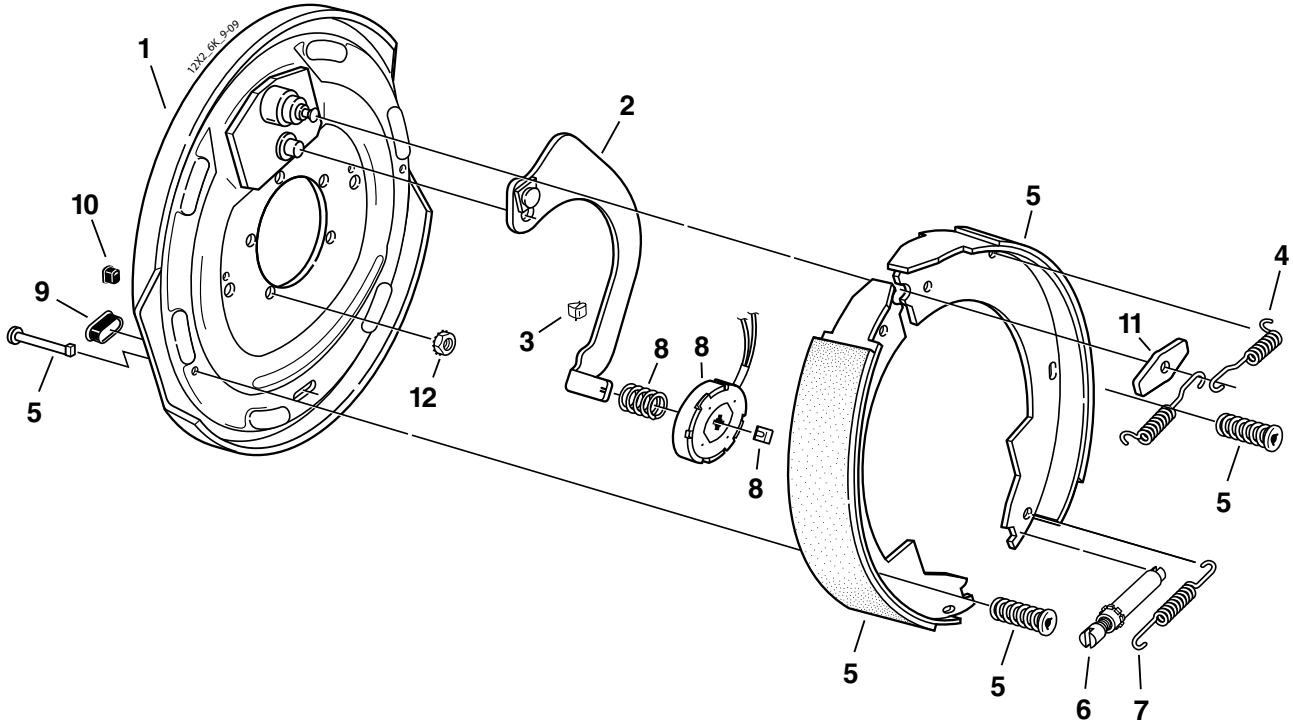
Item	Part No.	Description
13	006-080-00	½-20 60° Cone Nut
ns	006-053-00	9/16-18 60° Cone Nut
ns	006-109-00	9/16-18 90° Cone Nut

# 12" x 2" Electric Brake



CSA approved at 6000#/14.2 SLR

**5500 - 7000 LBS. CAPACITY**



## Electric Brake 6000# (CSA 5200#)

Item	Part No.	Qty/Brk	Description
0	K23-105-00	1	LH Complete Brake Assembly
0	K23-106-00	1	RH Complete Brake Assembly (shown)
1	036-089-05	1	Backing Plate Assembly
2	047-107-05	1	LH Actuating Lever Arm Assembly
2	047-108-05	1	RH Actuating Lever Arm Assembly
3	027-005-00	2	Wire Clip
4	046-009-00	2	Retractor Spring
5	K71-048-00	1	Shoe & Lining Kit Contains: 1 #040-044-00 Primary Shoe & Lining 1 #040-045-00 Secondary Shoe & Lining 2 #049-011-00 Shoe Hold Down Pin #2 2 #046-077-00 Shoe Hold Down Spring & Cup
6	043-004-00	1	Adjuster Assembly
7	046-018-00	1	Adjusting Screw Spring
8	K71-105-00	1	Magnet Kit Contains: 1 #042-144-00 Magnet (white wire) 1 #027-009-00 Magnet Clip 1 #046-080-00 Magnet Spring
9	046-007-00	2	Adjuster Slot Plug
10	046-016-00	1	Wire Grommet
11	005-067-00	1	Anchor Post Washer
*12	006-193-00	5	Nut Washer Assembly

\* Not included with complete brake assembly. Item sold separately.

## Electric Brake 6000# (CSA 6000#)

Item	Part No.	Qty/Brk	Description
0	K23-326-00	1	LH Complete Brake Assembly
0	K23-327-00	1	RH Complete Brake Assembly
1	036-089-05	1	Backing Plate Assembly
2	047-107-05	1	LH Actuating Lever Arm Assembly
2	047-108-05	1	RH Actuating Lever Arm Assembly
3	027-005-00	2	Wire Clip
4	046-009-00	2	Retractor Spring
5	K71-127-00	1	Shoe & Lining Kit Contains: 1 #040-215-00 Primary Shoe & Lining 1 #040-216-00 Secondary Shoe & Lining 2 #049-011-00 Shoe Hold Down Pin #2 2 #046-077-00 Shoe Hold Down Spring & Cup
6	043-004-00	1	Adjuster Assembly
7	046-018-00	1	Adjusting Screw Spring
8	K71-105-00	1	Magnet Kit Contains: 1 #042-144-00 Magnet (white wire) 1 #027-009-00 Magnet Clip 1 #046-080-00 Magnet Spring
9	046-007-00	2	Adjuster Slot Plug
10	046-016-00	1	Wire Grommet
11	005-067-00	1	Anchor Post Washer
*12	006-193-00	5	Nut Washer Assembly

**These brakes are rated to a maximum capacity of 6000 lbs. / pair**

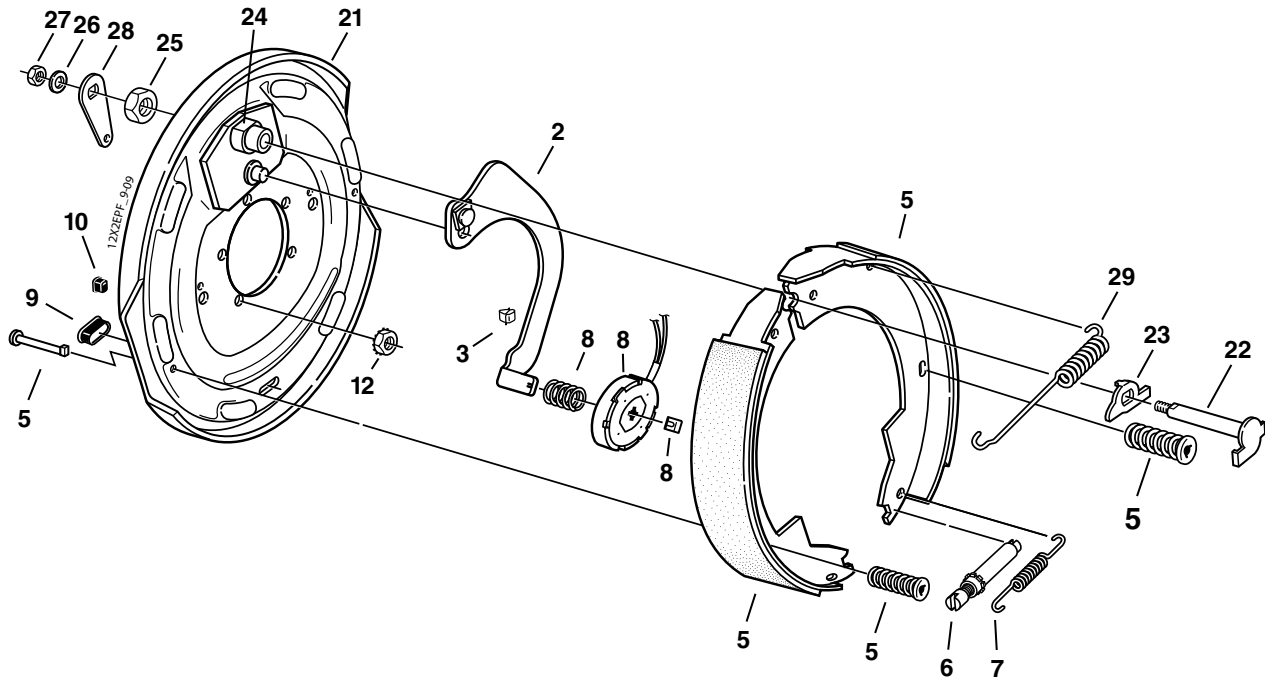


# 12" x 2" Electric Brake With Parking Feature



CSA approved at 6000#/14.2 SLR

**5500 - 7000 LBS. CAPACITY**



## Electric Parking Brake 6000# (CSA 5200#)

Item	Part No.	Qty/Brk	Description
0	K23-112-00	1	LH Complete Brake Assembly
0	K23-113-00	1	RH Complete Brake Assembly (shown)
2	047-107-05	1	LH Actuating Lever Arm Assembly
2	047-108-05	1	RH Actuating Lever Arm Assembly
3	027-005-00	2	Wire Clip
5	K71-048-00	1	Shoe & Lining Kit Contains: 1 #040-044-00 Primary Shoe & Lining 1 #040-045-00 Secondary Shoe & Lining 2 #049-011-00 Shoe Hold Down Pin #2 2 #046-077-00 Shoe Hold Down Spring & Cup
6	043-004-00	1	Adjuster Assembly
7	046-018-00	1	Adjusting Screw Spring
8	K71-105-00	1	Magnet Kit Contains: 1 #042-144-00 Magnet (white wire) 1 #027-009-00 Magnet Clip 1 #046-080-00 Magnet Spring
9	046-007-00	2	Adjuster Slot Plug
10	046-016-00	1	Wire Grommet
*12	006-193-00	5	Nut Washer Assembly
20	036-089-08	1	LH Backing Plate Assembly Complete (includes #21-28)
20	036-089-09	1	RH Backing Plate Assembly Complete (includes #21-28)
21	036-089-06	1	LH Backing Plate Assembly
21	036-089-07	1	RH Backing Plate Assembly
22	039-025-00	1	LH Pivot Pin & Cam Sub-Assembly
22	039-026-00	1	RH Pivot Pin & Cam Sub-Assembly
23	039-048-00	1	LH Actuating Cam
23	039-049-00	1	RH Actuating Cam
24	038-068-00	1	Anchor Post & Bushing Sub-Assembly
25	006-047-00	1	Anchor Post Locknut
26	005-041-00	1	Washer
27	006-011-00	1	Pivot Pin Locknut
28	047-070-00	1	Parking Brake Lever
29	046-005-00	1	Retractor Spring

## Electric Parking Brake 6000# (CSA 6000#)

Item	Part No.	Qty/Brk	Description
0	K23-328-00	1	LH Complete Brake Assembly
0	K23-329-00	1	RH Complete Brake Assembly
2	047-107-05	1	LH Actuating Lever Arm Assembly
2	047-108-05	1	RH Actuating Lever Arm Assembly
3	027-005-00	2	Wire Clip
5	K71-127-00	1	Shoe & Lining Kit Contains: 1 #040-215-00 Primary Shoe & Lining 1 #040-216-00 Secondary Shoe & Lining 2 #049-011-00 Shoe Hold Down Pin #2 2 #046-077-00 Shoe Hold Down Spring & Cup
6	043-004-00	1	Adjuster Assembly
7	046-018-00	1	Adjusting Screw Spring
8	K71-105-00	1	Magnet Kit Contains: 1 #042-144-00 Magnet (white wire) 1 #027-009-00 Magnet Clip 1 #046-080-00 Magnet Spring
9	046-007-00	2	Adjuster Slot Plug
10	046-016-00	1	Wire Grommet
*12	006-193-00	5	Nut Washer Assembly
20	036-089-08	1	LH Backing Plate Assembly Complete (includes #21-28)
20	036-089-09	1	RH Backing Plate Assembly Complete (includes #21-28)
21	036-089-06	1	LH Backing Plate Assembly
21	036-089-07	1	RH Backing Plate Assembly
22	039-025-00	1	LH Pivot Pin & Cam Sub-Assembly
22	039-026-00	1	RH Pivot Pin & Cam Sub-Assembly
23	039-048-00	1	LH Actuating Cam
23	039-049-00	1	RH Actuating Cam
24	038-068-00	1	Anchor Post & Bushing Sub-Assembly
25	006-047-00	1	Anchor Post Locknut
26	005-041-00	1	Washer
27	006-011-00	1	Pivot Pin Locknut
28	047-070-00	1	Parking Brake Lever
29	046-005-00	1	Retractor Spring

\* Not included with complete brake assembly. Item sold separately.

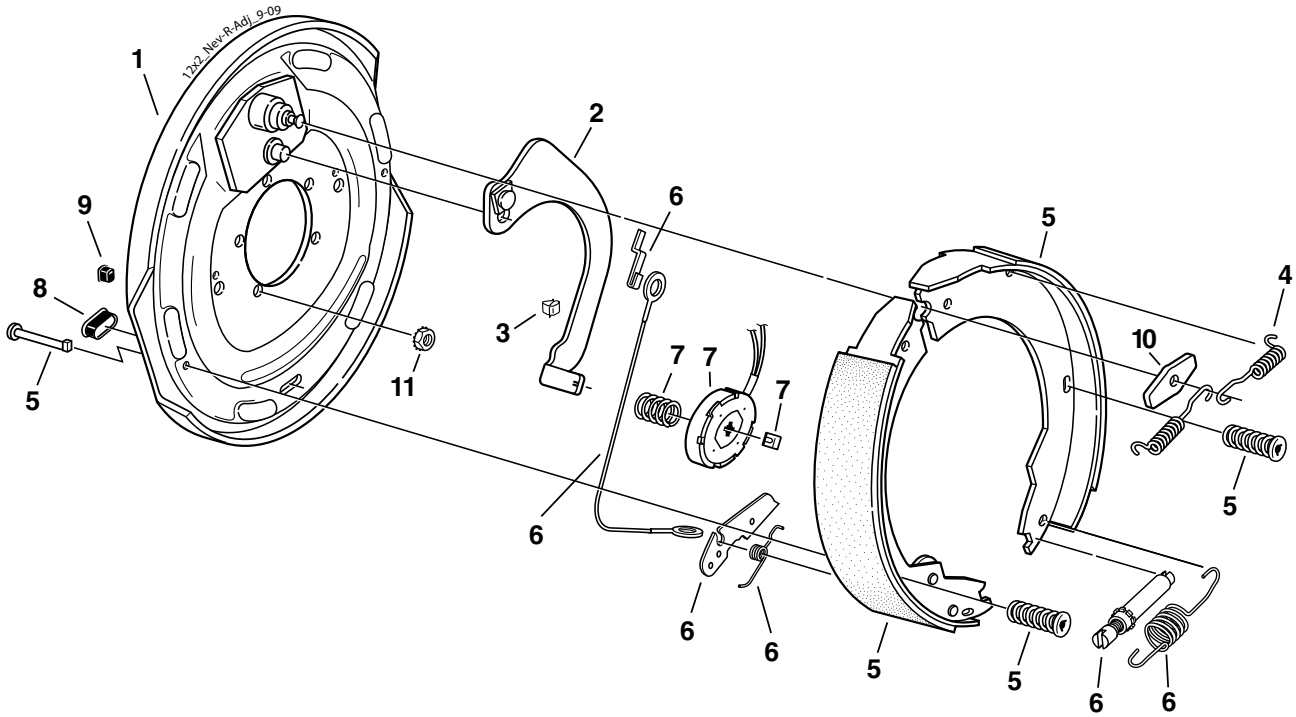
**These brakes are rated to a maximum capacity of 6000 lbs. / pair**

# 12" x 2" Nev-R-Adjust® Electric Brake



CSA approved at 6000#/14.2 SLR

**5500 - 7000 LBS. CAPACITY**



## Electric Brake 6000#

Item	Part No.	Qty/Brk	Description
0	K23-458-00	1	LH Complete Brake Assembly
0	K23-459-00	1	RH Complete Brake Assembly (shown)
1	036-089-05	1	Backing Plate Assembly
2	047-107-05	1	LH Actuating Lever Arm Assembly
2	047-108-05	1	RH Actuating Lever Arm Assembly
3	027-005-00	2	Wire Clip
4	046-009-00	2	Retractor Spring
5	K71-673-00	1	LH Shoe & Lining Kit Contains:
	1 #040-044-00		Primary Shoe & Lining
	1 #040-045-03		Secondary Shoe & Lining
	2 #049-011-00		Shoe Hold Down Pin #2
	2 #046-077-00		Shoe Hold Down Spring & Cup
5	K71-674-00	1	RH Shoe & Lining Kit Contains:
	1 #040-044-00		Primary Shoe & Lining
	1 #040-045-04		Secondary Shoe & Lining
	2 #049-011-00		Shoe Hold Down Pin #2
	2 #046-077-00		Shoe Hold Down Spring & Cup
6	K71-679-00	1	LH & RH Brake Adjuster Kit Contains:
	2 #046-139-00		Adjusting Screw Spring
	1 #046-140-00		LH Lever Spring
	1 #046-141-00		RH Lever Spring
	1 #048-022-00		LH Adjuster Assembly
	1 #048-023-00		RH Adjuster Assembly
	2 #071-528-00		Adjuster Cable
	2 #071-529-00		Hook for Cable
	1 #071-530-01		LH Adjusting Lever
	1 #071-530-02		RH Adjusting Lever
7	K71-105-00	1	Magnet Kit Contains:
	1 #042-144-00		Magnet (white wire)
	1 #027-009-00		Magnet Clip
	1 #046-080-00		Magnet Spring
8	046-007-00	2	Adjuster Slot Plug
9	046-016-00	1	Wire Grommet
10	005-067-00	1	Anchor Post Washer
*11	006-193-00	5	Nut Washer Assembly

\* Not included with complete brake assembly. Item sold separately.

## Electric Brake 6000# (CSA 6000#)

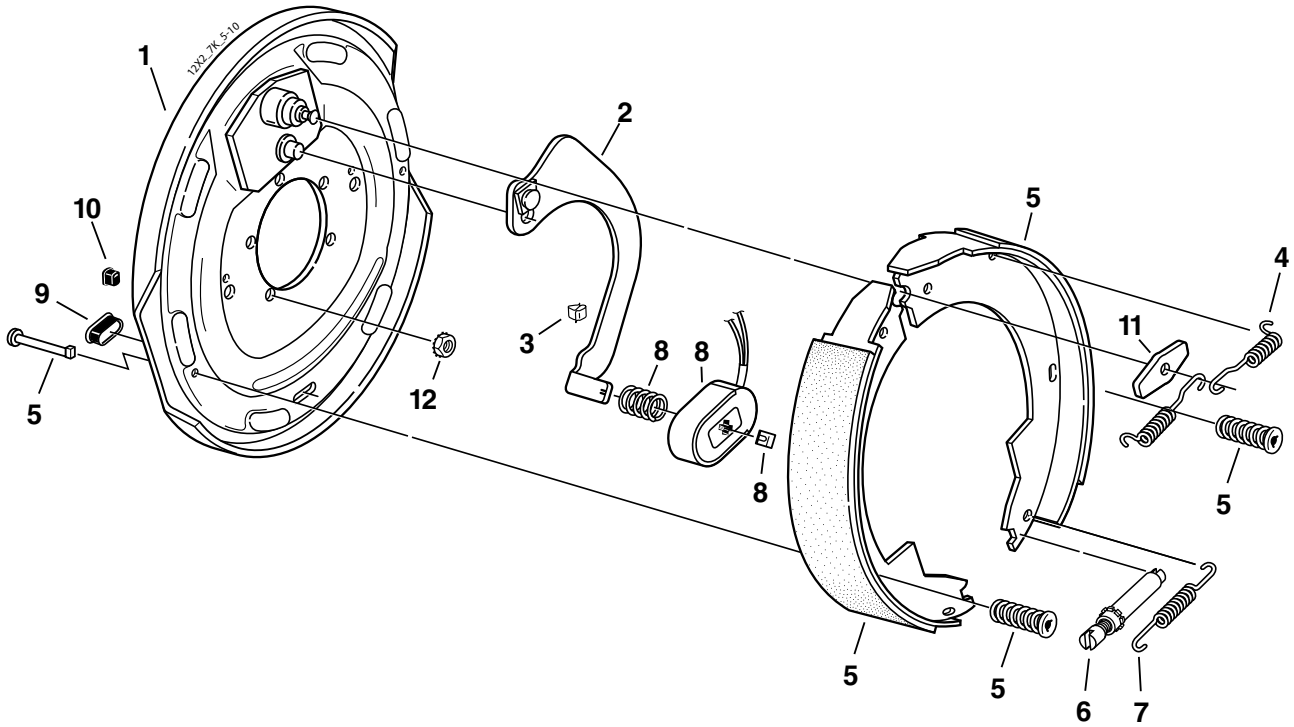
Item	Part No.	Qty/Brk	Description
0	K23-466-00	1	LH Complete Brake Assembly
0	K23-467-00	1	RH Complete Brake Assembly (shown)
1	036-089-05	1	Backing Plate Assembly
2	047-107-05	1	LH Actuating Lever Arm Assembly
2	047-108-05	1	RH Actuating Lever Arm Assembly
3	027-005-00	2	Wire Clip
4	046-009-00	2	Retractor Spring
5	K71-675-00	1	LH Shoe & Lining Kit Contains:
	1 #040-215-00		Primary Shoe & Lining
	1 #040-216-01		Secondary Shoe & Lining
	2 #049-011-00		Shoe Hold Down Pin #2
	2 #046-077-00		Shoe Hold Down Spring & Cup
5	K71-676-00	1	RH Shoe & Lining Kit Contains:
	1 #040-215-00		Primary Shoe & Lining
	1 #040-216-02		Secondary Shoe & Lining
	2 #049-011-00		Shoe Hold Down Pin #2
	2 #046-077-00		Shoe Hold Down Spring & Cup
6	K71-679-00	1	LH & RH Brake Adjuster Kit Contains:
	2 #046-139-00		Adjusting Screw Spring
	1 #046-140-00		LH Lever Spring
	1 #046-141-00		RH Lever Spring
	1 #048-022-00		LH Adjuster Assembly
	1 #048-023-00		RH Adjuster Assembly
	2 #071-528-00		Adjuster Cable
	2 #071-529-00		Hook for Cable
	1 #071-530-01		LH Adjusting Lever
	1 #071-530-02		RH Adjusting Lever
7	K71-105-00	1	Magnet Kit Contains:
	1 #042-144-00		Magnet (white wire)
	1 #027-009-00		Magnet Clip
	1 #046-080-00		Magnet Spring
8	046-007-00	2	Adjuster Slot Plug
9	046-016-00	1	Wire Grommet
10	005-067-00	1	Anchor Post Washer
*11	006-193-00	5	Nut Washer Assembly

# 12" x 2" 7K Electric Brake



CSA approved at 7000#/13.8 SLR

**5500 - 7000 LBS. CAPACITY**



## Electric Brake 7000#

Item	Part No.	Qty/Brk	Description
0	K23-180-00	1	LH Complete Brake Assembly
0	K23-181-00	1	RH Complete Brake Assembly (shown)
1	036-089-10	1	Backing Plate Assembly
2	047-107-05	1	LH Actuating Lever Arm Assembly
2	047-108-05	1	RH Actuating Lever Arm Assembly
3	027-005-00	2	Wire Clip
4	046-009-00	2	Retractor Spring
5	K71-127-00	1	Shoe & Lining Kit Contains: 1 #040-215-00 Primary Shoe & Lining 1 #040-216-00 Secondary Shoe & Lining 2 #049-011-00 Shoe Hold Down Pin #2 2 #046-077-00 Shoe Hold Down Spring & Cup
6	043-004-00	1	Adjuster Assembly
7	046-018-00	1	Adjusting Screw Spring
8	K71-125-00	1	Magnet Kit Contains: 1 #042-143-00 Magnet (black wire) 1 #027-009-00 Magnet Clip 1 #046-080-00 Magnet Spring
9	046-007-00	2	Adjuster Slot Plug
10	046-016-00	1	Wire Grommet
11	005-067-00	1	Anchor Post Washer
*12	006-193-00	5	Nut Washer Assembly

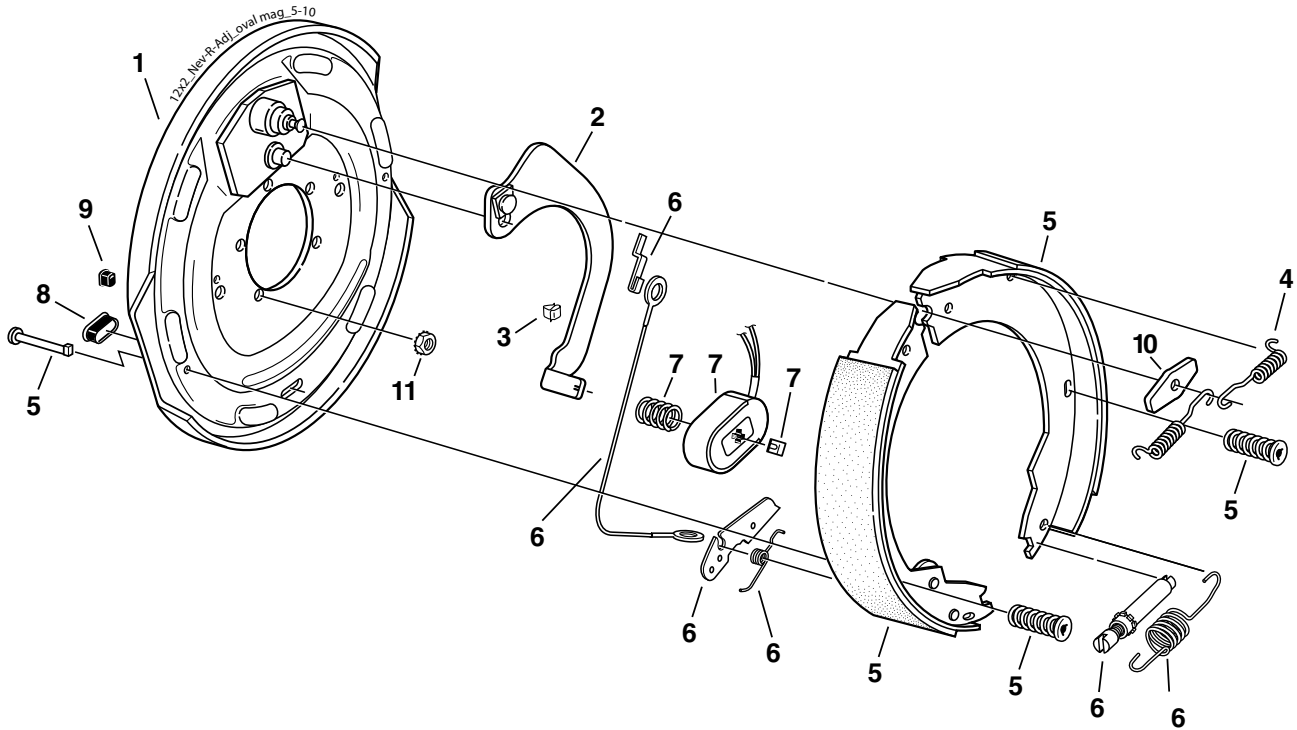
\* Not included with complete brake assembly. Item sold separately.

# 12" x 2" 7K Nev-R-Adjust® Electric Brake



CSA approved at 7000#/13.8 SLR

**5500 - 7000 LBS. CAPACITY**



## Electric Brake 7000#

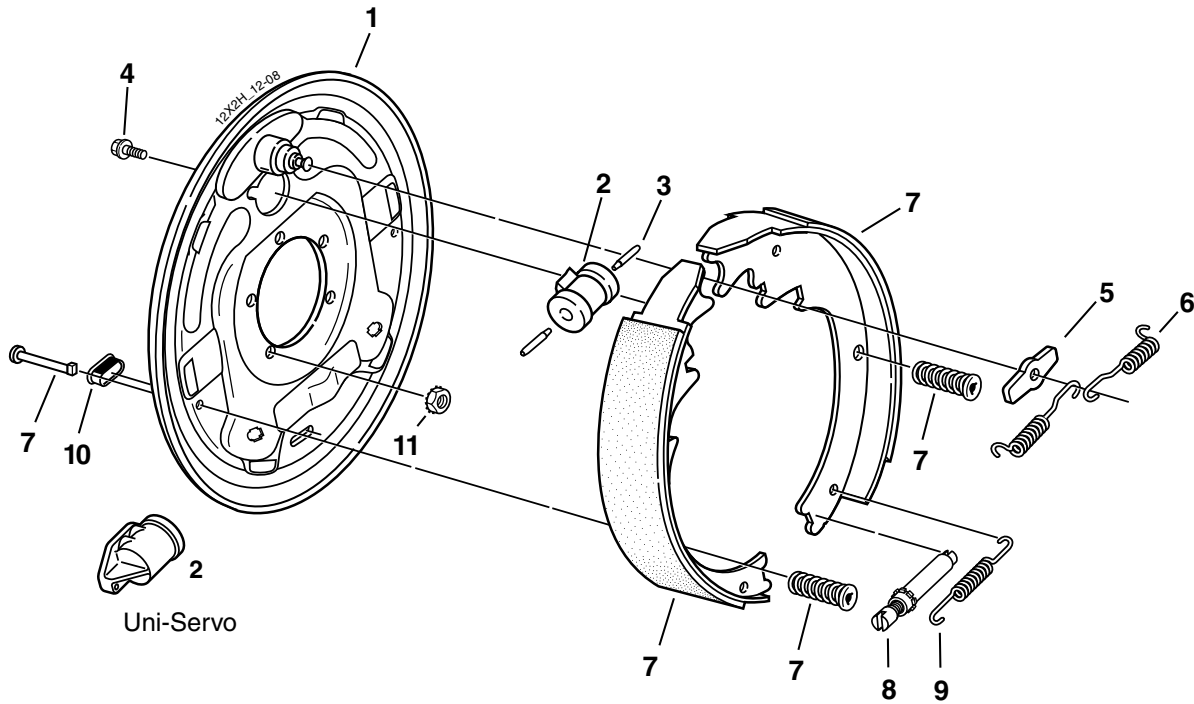
Item	Part No.	Qty/Brk	Description
0	K23-464-00	1	LH Complete Brake Assembly
0	K23-465-00	1	RH Complete Brake Assembly (shown)
1	036-089-10	1	Backing Plate Assembly
2	047-107-05	1	LH Actuating Lever Arm Assembly
2	047-108-05	1	RH Actuating Lever Arm Assembly
3	027-005-00	2	Wire Clip
4	046-009-00	2	Retractor Spring
5	K71-675-00	1	LH Shoe & Lining Kit Contains: 1 #040-215-00 Primary Shoe & Lining 1 #040-216-01 Secondary Shoe & Lining 2 #049-011-00 Shoe Hold Down Pin #2 2 #046-077-00 Shoe Hold Down Spring & Cup
5	K71-676-00	1	RH Shoe & Lining Kit Contains: 1 #040-215-00 Primary Shoe & Lining 1 #040-216-02 Secondary Shoe & Lining 2 #049-011-00 Shoe Hold Down Pin #2 2 #046-077-00 Shoe Hold Down Spring & Cup
6	K71-679-00	1	LH & RH Brake Adjuster Kit Contains: 2 #046-139-00 Adjusting Screw Spring 1 #046-140-00 LH Lever Spring 1 #046-141-00 RH Lever Spring 1 #048-022-00 LH Adjuster Assembly 1 #048-023-00 RH Adjuster Assembly 2 #071-528-00 Adjuster Cable 2 #071-529-00 Hook for Cable 1 #071-530-01 LH Adjusting Lever 1 #071-530-02 RH Adjusting Lever
7	K71-125-00	1	Magnet Kit Contains: 1 #042-143-00 Magnet (black wire) 1 #027-009-00 Magnet Clip 1 #046-080-00 Magnet Spring
8	046-007-00	2	Adjuster Slot Plug
9	046-016-00	1	Wire Grommet
10	005-067-00	1	Anchor Post Washer
*11	006-193-00	5	Nut Washer Assembly

\* Not included with complete brake assembly. Item sold separately.

# 12" x 2" Hydraulic Brake



**5500 - 7000 LBS. CAPACITY**



**Note:** Uni-Servo brakes to be used with surge actuator

## Hydraulic Brake 7000#

Item	Part No.	Qty/Brk	Description
0	K23-338-00	1	LH Complete Brake Assembly-US
0	K23-339-00	1	RH Complete Brake Assembly-US (shown)
0	K23-336-00	1	LH Complete Brake Assembly-DS
0	K23-337-00	1	RH Complete Brake Assembly-DS (shown)
1	036-093-08	1	Backing Plate Assembly
2	054-064-00	1	LH Brake Cylinder Uni-Servo
2	054-065-00	1	RH Brake Cylinder Uni-Servo
2	054-062-00	1	LH Brake Cylinder Duo-Servo
2	054-063-00	1	RH Brake Cylinder Duo-Servo
3	054-060-00	1 or 2	Cylinder Push Rod US (1) DS (2)
4	087-001-00	2	Sems (screw & washer assembly)
5	005-113-00	1	Anchor Post Washer
6	046-101-00	2	Retractor Spring
7	K71-269-00	1	LH Shoe & Lining Kit Contains: 1 #040-219-00 LH Primary Shoe & Lining 1 #040-218-02 LH Secondary Shoe & Lining 2 #046-077-00 Shoe Hold Down Spring & Cup 2 #049-012-00 Shoe Hold Down Pin #4
7	K71-270-00	1	RH Shoe & Lining Kit Contains: 1 #040-219-00 RH Primary Shoe & Lining 1 #040-218-01 RH Secondary Shoe & Lining 2 #046-077-00 Shoe Hold Down Spring & Cup 2 #049-012-00 Shoe Hold Down Pin #4
8	043-029-00	1	Adjuster Assembly
9	046-102-00	1	Adjusting Screw Spring
10	046-007-00	1	Adjuster Slot Plug
*11	006-193-00	5	Nut Washer Assembly
ns	054-089-00	1	Bleeder Screw (included with item #2)

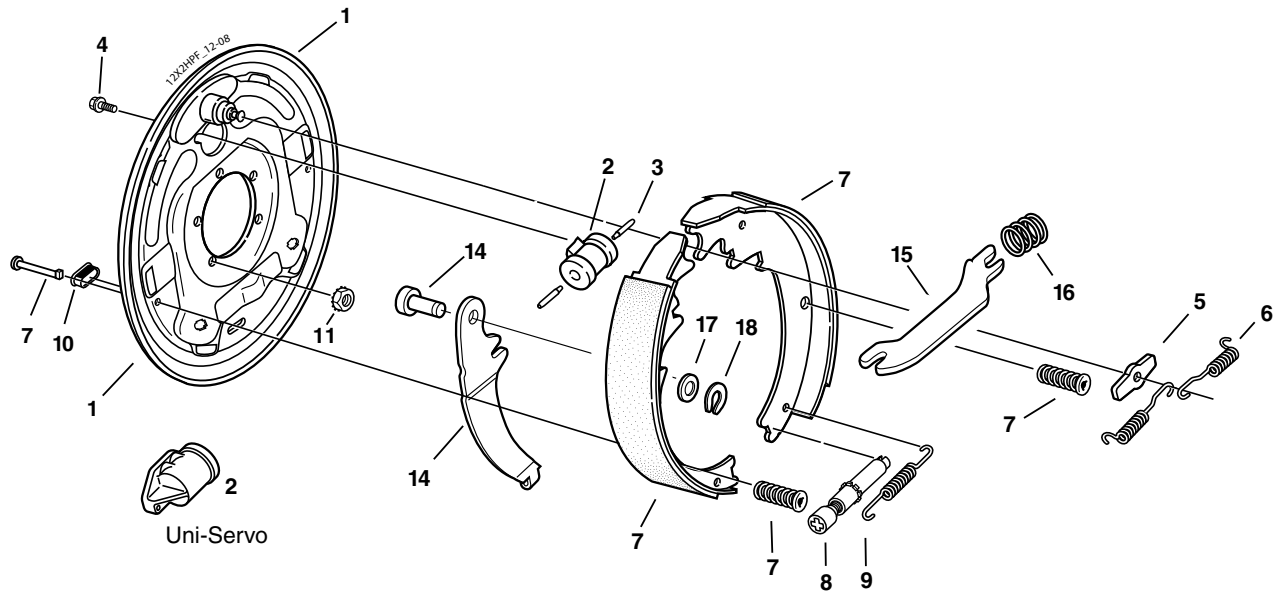
ns - not shown

\* Not included with complete brake assembly. Item sold separately.

# 12" x 2" Hydraulic Brake With Parking Feature



**5500 - 7000 LBS. CAPACITY**



**Note:** Uni-Servo brakes to be used with surge actuator

## Hydraulic Parking Brake 7000#

Item	Part No.	Qty/Brk	Description
0	K23-332-00	1	LH Complete Brake Assembly-DS
0	K23-333-00	1	RH Complete Brake Assembly-DS (shown)
0	K23-334-00	1	LH Complete Brake Assembly-US
0	K23-335-00	1	RH Complete Brake Assembly-US (shown)
1	036-093-15	1	LH Backing Plate Assembly
1	036-093-16	1	RH Backing Plate Assembly
2	054-062-00	1	LH Brake Cylinder Duo-Servo
2	054-063-00	1	RH Brake Cylinder Duo-Servo
2	054-064-00	1	LH Brake Cylinder Uni-Servo
2	054-065-00	1	RH Brake Cylinder Uni-Servo
3	054-060-00	1 or 2	Cylinder Push Rod US (1) DS (2)
4	087-001-00	2	Sems (screw & washer assembly)
5	005-113-00	1	Anchor Post Washer
6	046-101-00	2	Retractor Spring
7	K71-269-00	1	LH Shoe & Lining Kit Contains: 1 #040-219-00 Primary Shoe & Lining 1 #040-218-02 Secondary Shoe & Lining 2 #046-077-00 Shoe Hold Down Spring & Cup 2 #049-012-00 Shoe Hold Down Pin #4
7	K71-270-00	1	RH Shoe & Lining Kit Contains: 1 #040-219-00 Primary Shoe & Lining 1 #040-218-01 Secondary Shoe & Lining 2 #046-077-00 Shoe Hold Down Spring & Cup 2 #049-012-00 Shoe Hold Down Pin #4
8	043-029-00	1	Adjuster Assembly
9	046-102-00	1	Adjusting Screw Spring
10	046-007-00	1	Adjuster Slot Plug
*11	006-193-00	5	Nut Washer Assembly
14	047-110-01	1	LH Parking Lever and Pin
14	047-111-01	1	RH parking Lever and Pin
15	047-109-00	1	Parking Strut
16	046-103-00	1	Parking Strut Spring
17	005-112-00	1	Spring Tension Washer
18	069-055-00	1	Retainer
ns	054-089-00	1	Bleeder Screw (included with item #2)
*ns	071-515-00	1	Park Brake Cable

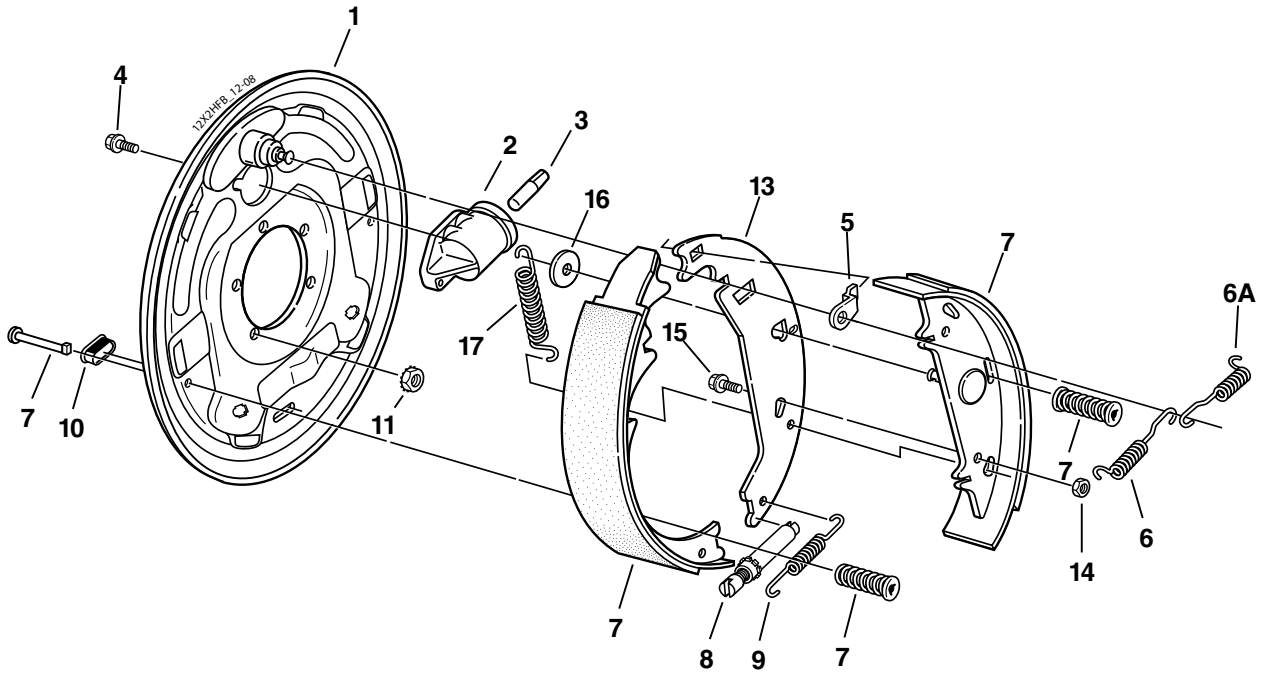
ns - not shown

\* Not included with complete brake assembly. Item sold separately.

# 12" x 2" Hydraulic Brake Free Backing



**5500 - 7000 LBS. CAPACITY**



**Note:** Uni-Servo brakes to be used with surge actuator

## Hydraulic Free Backing Brake

Item	Part No.	Qty/Brk	Description
0	K23-342-00	1	LH Complete Brake Assembly
0	K23-343-00	1	RH Complete Brake Assembly (shown)
1	036-093-08	1	Backing Plate Assembly
2	054-064-00	1	LH Brake Cylinder Uni-Servo
2	054-065-00	1	RH Brake Cylinder Uni-Servo
3	054-060-00	1	Cylinder Push Rod
4	087-001-00	2	Sems (screw & washer assembly)
5	037-069-02	1	Travel Link
6	046-101-00	1	Retractor Spring
6A	046-107-01	1	Shoe Lever Return Spring
7	K71-394-00	1	LH Shoe & Lining Kit Contains: 1 #040-243-08 LH Primary Shoe & Lining 1 #040-315-02 LH Secondary Shoe & Lining 1 #046-077-00 Shoe Hold Down Spring & Cup-Sec. 2 #035-001-00 Shoe Hold Down Cup-Primary 1 #046-006-00 Shoe Hold Down Spring-Primary 1 #049-013-00 Shoe Hold Down Pin #1-Primary 1 #049-002-00 Shoe Hold Down Pin #8-Sec.
7	K71-395-00	1	RH Shoe & Lining Kit Contains: 1 #040-243-09 RH Primary Shoe & Lining 1 #040-315-01 RH Secondary Shoe & Lining 1 #046-077-00 Shoe Hold Down Spring & Cup-Sec. 2 #035-001-00 Shoe Hold Down Cup-Primary 1 #046-006-00 Shoe Hold Down Spring-Primary 1 #049-013-00 Shoe Hold Down Pin #1-Primary 1 #049-002-00 Shoe Hold Down Pin #8-Sec.
8	043-028-00	1	Adjuster Assembly
9	046-123-00	1	Adjusting Screw Spring
10	046-007-00	1	Adjuster Slot Plug
*11	006-193-00	5	Nut Washer Assembly
13	040-244-01	1	Shoe Lever
14	006-011-00	1	Locknut
15	007-210-00	1	Screw
16	005-064-00	1	Washer
17	046-108-01	1	Primary Shoe Return Spring
ns	054-089-00	1	Bleeder Screw (included with item #2)

ns - not shown

\* Not included with complete brake assembly. Item sold separately.

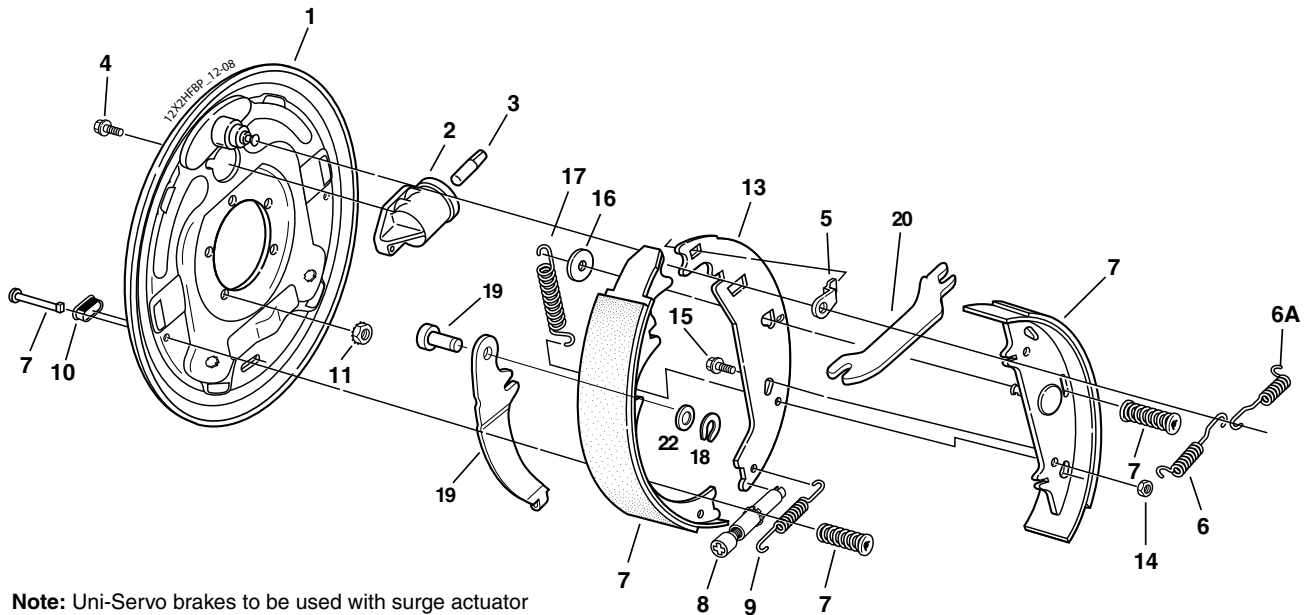
## Hydraulic Free Backing Brake Corrosion Resistant

Item	Part No.	Qty/Brk	Description
0	K23-342-01	1	LH Complete Brake Assembly
0	K23-343-01	1	RH Complete Brake Assembly
1	036-093-09	1	Backing Plate Assembly
2	054-064-01	1	LH Brake Cylinder Uni-Servo
2	054-065-01	1	RH Brake Cylinder Uni-Servo
3	054-060-00	1	Cylinder Push Rod
4	087-001-00	2	Sems (screw & washer assembly)
5	037-069-02	1	Travel Link
6	046-101-00	1	Retractor Spring
6A	046-107-03	1	Shoe Lever Return Spring
7	K71-427-00	1	LH Shoe & Lining Kit Contains: 1 #040-243-06 LH Primary Shoe & Lining 1 #040-315-06 LH Secondary Shoe & Lining 1 #046-077-01 Shoe Hold Down Spring & Cup-Sec. 2 #035-001-00 Shoe Hold Down Cup-Primary 1 #046-006-01 Shoe Hold Down Spring & Cup-Prim. 1 #049-013-00 Shoe Hold Down Pin #1-Primary 1 #049-002-00 Shoe Hold Down Pin #8-Sec.
7	K71-428-00	1	RH Shoe & Lining Kit Contains: 1 #040-243-07 RH Primary Shoe & Lining 1 #040-315-05 RH Secondary Shoe & Lining 1 #046-077-01 Shoe Hold Down Spring & Cup-Sec. 2 #035-001-00 Shoe Hold Down Cup-Primary 1 #046-006-01 Shoe Hold Down Spring & Cup-Prim. 1 #049-013-00 Shoe Hold Down Pin #1-Primary 1 #049-002-00 Shoe Hold Down Pin #8-Sec.
8	043-028-00	1	Adjuster Assembly
9	046-123-01	1	Adjusting Screw Spring
10	046-007-00	1	Adjuster Slot Plug
*11	006-193-00	5	Nut Washer Assembly
13	040-244-02	1	Shoe Lever
14	006-011-00	1	Locknut
15	007-210-00	1	Screw
16	005-064-00	1	Washer
17	046-108-03	1	Primary Shoe Return Spring
ns	054-089-00	1	Bleeder Screw (included with item #2)

# 12" x 2" Hydraulic Brake Free Backing With Parking Feature



**5500 - 7000 LBS. CAPACITY**



Note: Uni-Servo brakes to be used with surge actuator

## Hydraulic Free Backing Parking Brake

Item	Part No.	Qty/Brk	Description
0	K23-340-00	1	LH Complete Brake Assembly
0	K23-341-00	1	RH Complete Brake Assembly (shown)
1	036-093-15	1	LH Backing Plate Assembly
1	036-093-16	1	RH Backing Plate Assembly
2	054-064-00	1	LH Brake Cylinder Uni-Servo
2	054-065-00	1	RH Brake Cylinder Uni-Servo
3	054-060-00	1	Cylinder Push Rod
4	087-001-00	2	Sems (screw & washer assembly)
5	037-069-02	1	Travel Link
6	046-101-00	1	Retractor Spring
6A	046-107-01	1	Shoe Lever Return Spring
7	K71-394-00	1	LH Shoe & Lining Kit Contains: 1 #040-243-08 LH Primary Shoe & Lining 1 #040-315-02 LH Secondary Shoe & Lining 1 #046-077-00 Shoe Hold Down Spring & Cup-Sec. 2 #035-001-00 Shoe Hold Down Cup-Primary 1 #046-006-00 Shoe Hold Down Spring-Primary 1 #049-013-00 Shoe Hold Down Pin #1-Primary 1 #049-002-00 Shoe Hold Down Pin #8-Sec.
7	K71-395-00	1	RH Shoe & Lining Kit Contains: 1 #040-243-09 RH Primary Shoe & Lining 1 #040-315-01 RH Secondary Shoe & Lining 1 #046-077-00 Shoe Hold Down Spring & Cup-Sec. 2 #035-001-00 Shoe Hold Down Cup-Primary 1 #046-006-00 Shoe Hold Down Spring-Primary 1 #049-013-00 Shoe Hold Down Pin #1-Primary 1 #049-002-00 Shoe Hold Down Pin #8-Sec.
8	043-028-00	1	Adjuster Assembly
9	046-123-00	1	Adjusting Screw Spring
10	046-007-00	1	Adjuster Slot Plug
*11	006-193-00	5	Nut Washer Assembly
13	040-244-01	1	Shoe Lever
14	006-011-00	1	Locknut
15	007-210-00	1	Screw
16	005-064-00	1	Washer
17	046-108-01	1	Primary Shoe Return Spring
18	069-055-00	1	Retainer
19	047-110-01	1	LH Parking Lever and Pin
19	047-111-01	1	RH Parking Lever and Pin
20	047-119-01	1	Strut for Parking Brake
22	005-112-00	1	Washer
ns	054-089-00	1	Bleeder Screw (included with item #2)
*ns	071-515-00	1	Park Brake Cable

ns - not shown

## Hydraulic Free Backing Parking Brake Corrosion Resistant

Item	Part No.	Qty/Brk	Description
0	K23-340-01	1	LH Complete Brake Assembly
0	K23-341-01	1	RH Complete Brake Assembly
1	036-093-17	1	LH Backing Plate Assembly
1	036-093-18	1	RH Backing Plate Assembly
2	054-064-01	1	LH Brake Cylinder Uni-Servo
2	054-065-01	1	RH Brake Cylinder Uni-Servo
3	054-060-00	1	Cylinder Push Rod
4	087-001-00	2	Sems (screw & washer assembly)
5	037-069-02	1	Travel Link
6	046-101-00	1	Retractor Spring
6A	046-107-03	1	Shoe Lever Return Spring
7	K71-427-00	1	LH Shoe & Lining Kit Contains: 1 #040-243-06 LH Primary Shoe & Lining 1 #040-315-06 LH Secondary Shoe & Lining 1 #046-077-01 Shoe Hold Down Spring & Cup-Sec. 2 #035-001-00 Shoe Hold Down Cup-Primary 1 #046-006-01 Shoe Hold Down Spring-Primary 1 #049-013-00 Shoe Hold Down Pin #1-Primary 1 #049-002-00 Shoe Hold Down Pin #8-Sec.
7	K71-428-00	1	RH Shoe & Lining Kit Contains: 1 #040-243-07 RH Primary Shoe & Lining 1 #040-315-05 RH Secondary Shoe & Lining 1 #046-077-01 Shoe Hold Down Spring & Cup-Sec. 2 #035-001-00 Shoe Hold Down Cup-Primary 1 #046-006-01 Shoe Hold Down Spring-Primary 1 #049-013-00 Shoe Hold Down Pin #1-Primary 1 #049-002-00 Shoe Hold Down Pin #8-Sec.
8	043-028-00	1	Adjuster Assembly
9	046-123-01	1	Adjusting Screw Spring
10	046-007-00	1	Adjuster Slot Plug
*11	006-193-00	5	Nut Washer Assembly
13	040-244-02	1	Shoe Lever
14	006-011-00	1	Locknut
15	007-210-00	1	Screw
16	005-064-00	1	Washer
17	046-108-03	1	Primary Shoe Return Spring
18	069-055-00	1	Retainer
19	047-110-01	1	LH Parking Lever and Pin
19	047-111-01	1	RH Parking Lever and Pin
20	047-119-01	1	Strut for Parking Brake
22	005-112-00	1	Washer
ns	054-089-00	1	Bleeder Screw (included with item #2)

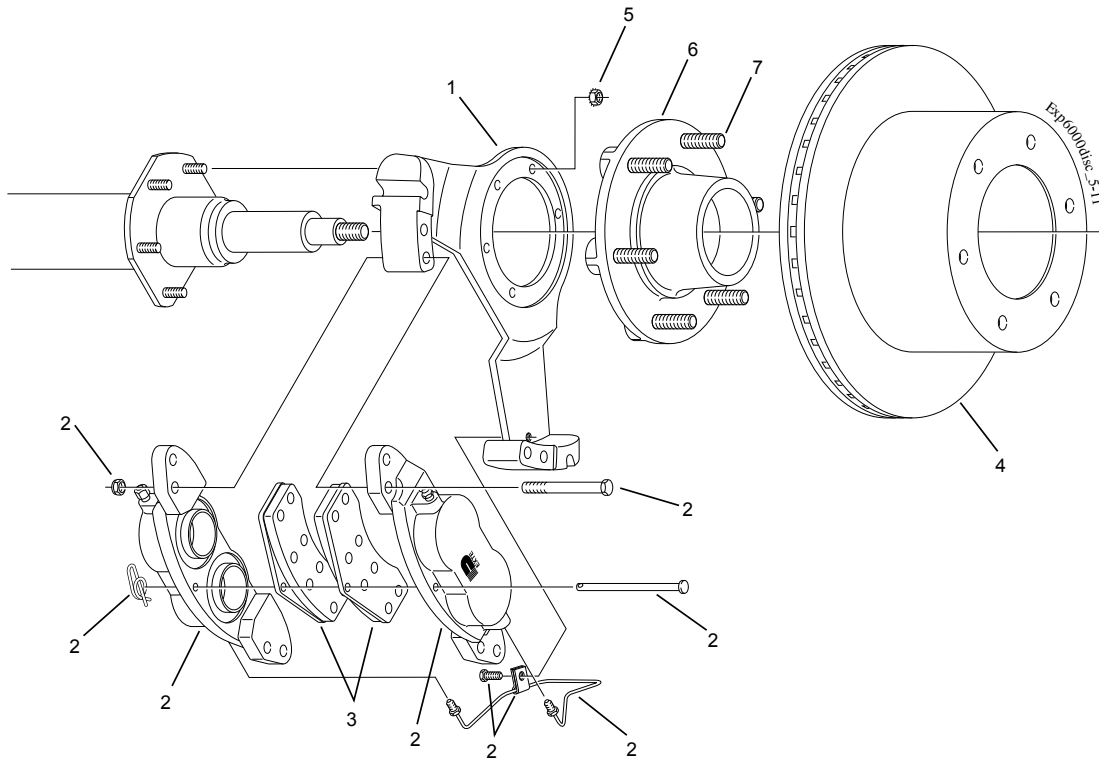


# Disc Brake for 6,000 Lb. Axles



CSA approved at 6000#/14.3 SLR

**5500 - 7000 LBS. CAPACITY**



## Disc Brake 6000#

Item	Part No.	Qty/Brk	Description
1	090-005-01	1	LH Anchor Yoke
1	090-005-02	1	RH Anchor Yoke (shown)
2	K71-636-00	1	Caliper Assembly Kit for LH or RH Contains:
	4 006-045-00		Caliper Mounting Nut
	4 007-254-00		Caliper Mounting Bolt
	1 019-019-00		Cotter Ring
	1 027-060-00		Tube Clamp
	1 054-092-00		Bleeder Screw
	1 054-094-00		Adapter Fitting
	1 056-038-00		Pad Retaining Pin
	1 071-513-00		Cross Over Hydraulic Line (yokes without notch)
	1 071-517-00		Cross Over Hydraulic Line (yokes with notch)
	1 087-002-00		Hex Bolt
	2 089-005-02		Assembled Caliper Half
3	K71-629-00	1	Brake Pad Kit (axle set)
4	K71-637-00	1	Rotor Kit
5	006-193-00	5	3/8" Brake Mounting Nut-Washer Assembly

## Disc Brake 6000# With 42MM Nev-R-Lube®

Item	Part No.	Qty/Brk	Description
1	090-006-01	1	LH Anchor Yoke
1	090-006-02	1	RH Anchor Yoke
2	K71-636-00	1	Caliper Assembly Kit for LH or RH Contains:
	4 006-045-00		Caliper Mounting Nut
	4 007-254-00		Caliper Mounting Bolt
	1 019-019-00		Cotter Ring
	1 027-060-00		Tube Clamp
	1 054-092-00		Bleeder Screw
	1 054-094-00		Adapter Fitting
	1 056-038-00		Pad Retaining Pin
	1 071-513-00		Cross Over Hydraulic Line (yokes without notch)
	1 071-517-00		Cross Over Hydraulic Line (yokes with notch)
	1 087-002-00		Hex Bolt
	2 089-005-02		Assembled Caliper Half
3	K71-629-00	1	Brake Pad Kit (axle set)
4	K71-637-00	1	Rotor Kit
5	006-193-00	5	3/8" Brake Mounting Nut-Washer Assembly

## Disc Brake Hubs & Studs

Item	Part No.	Qty/Brk	Description
6	008-403-05	1	Grease 1/2" Studs 6 on 5.50
7	007-262-00	6	1/2-20 x 2.50" Press-in Stud

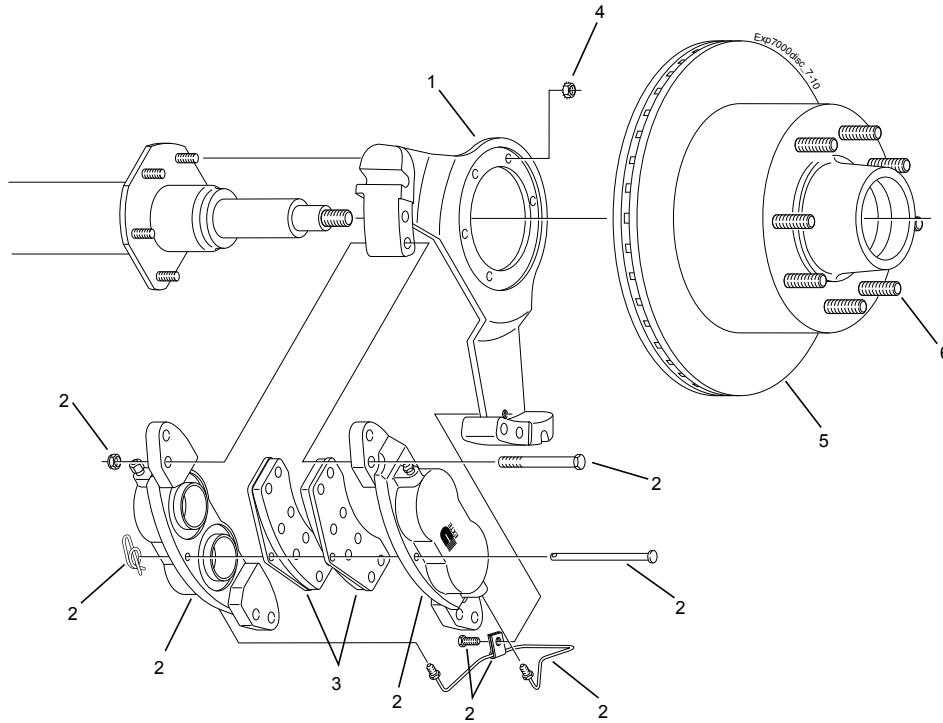
## Nev-R-Lube® Disc Brake Hubs

Item	Part No.	Qty/Brk	Description
6	008-404-80	1	1/2" Studs, 42mm 6 on 5.50
7	007-262-00	6	1/2-20 x 2.50" Press-in Stud

# Disc Brake for 7,000 Lb. Axles



CSA approved at 7000#/14.0 SLR



### Disc Brake 7000#

Item	Part No.	Qty/Brk	Description
1	090-008-01	1	LH Anchor Yoke
1	090-008-02	1	RH Anchor Yoke (shown)
2	K71-693-00	1	Caliper Assembly Kit for LH or RH Contains:
	4 006-045-00		Caliper Mounting Nut
	4 007-254-00		Caliper Mounting Bolt
	1 019-019-00		Cotter Ring
	1 027-060-00		Tube Clamp
	1 054-092-00		Bleeder Screw
	1 054-094-00		Adapter Fitting
	1 056-038-00		Pad Retaining Pin
	1 071-517-00		Cross Over Hydraulic Line (yokes with notch)
	1 087-002-00		Hex Bolt
	2 089-005-06		Assembled Caliper Half
3	K71-629-00	1	Brake Pad Kit (axle set)
4	006-193-00	5	3/8" Brake Mounting Nut-Washer Assembly

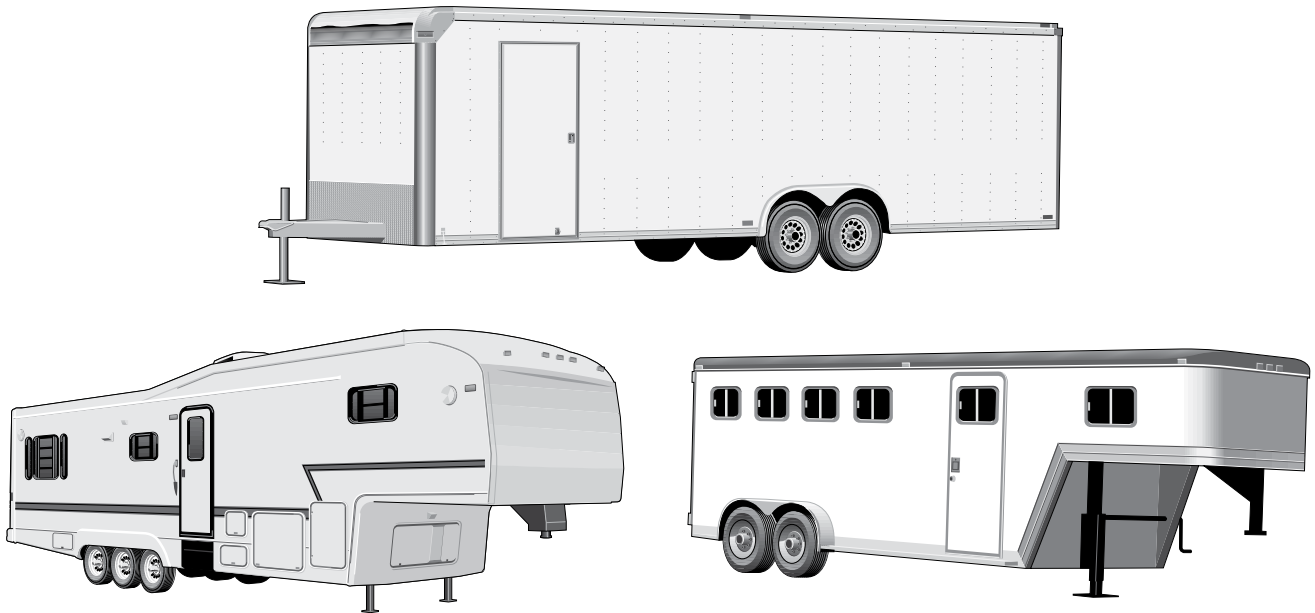
### Disc Brake Hubs & Studs

Item	Part No.	Qty/Brk	Description
5	008-416-10	1	Grease 1/2" Studs 8 on 6.50
	008-416-11	1	Oil 1/2" Studs 8 on 6.50
	008-416-12	1	Grease 9/16" Studs 8 on 6.50
	008-416-13	1	Oil 9/16" Studs 8 on 6.50
	008-416-14	1	Grease 5/8" Studs 8 on 6.50
	008-416-15	1	Oil 5/8" Studs 8 on 6.50
6	007-122-00	8	1/2-20 x 1.84" Press-in Stud
	007-223-00	8	9/16-18 x 2.01" Press-in Stud
	007-224-00	8	5/8-18 x 2.50" Press-in Stud

# AIRFLEX® Light Trailer Suspension System

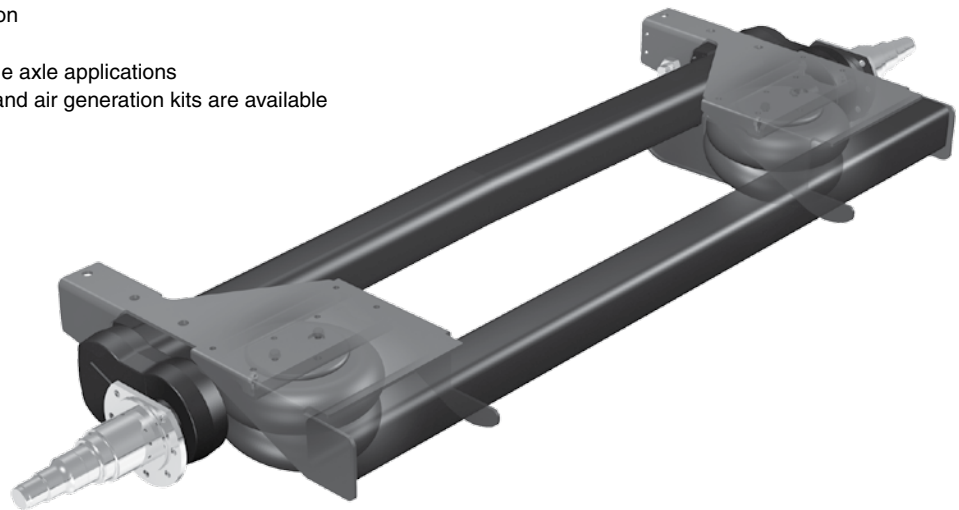


**5500 - 7000 LBS. CAPACITY**



## Smooth Out the Roughest Roads

- Soft Ride – New hybrid suspension combines air and rubber torsion for an excellent ride
- Independent – Ride and stability improve with independent wheel action
- Equalizing – Axle-to-axle load equalization allows use on triple axle trailers
- Reliable – Rubber cushions ride even if air is not available
- Maintains constant ride height for the ultimate ride
- Fully assembled for easy installation
- Adjustable axle alignment feature
- Available for single, tandem or triple axle applications
- Optional ride height control valve and air generation kits are available
- 2 year limited warranty

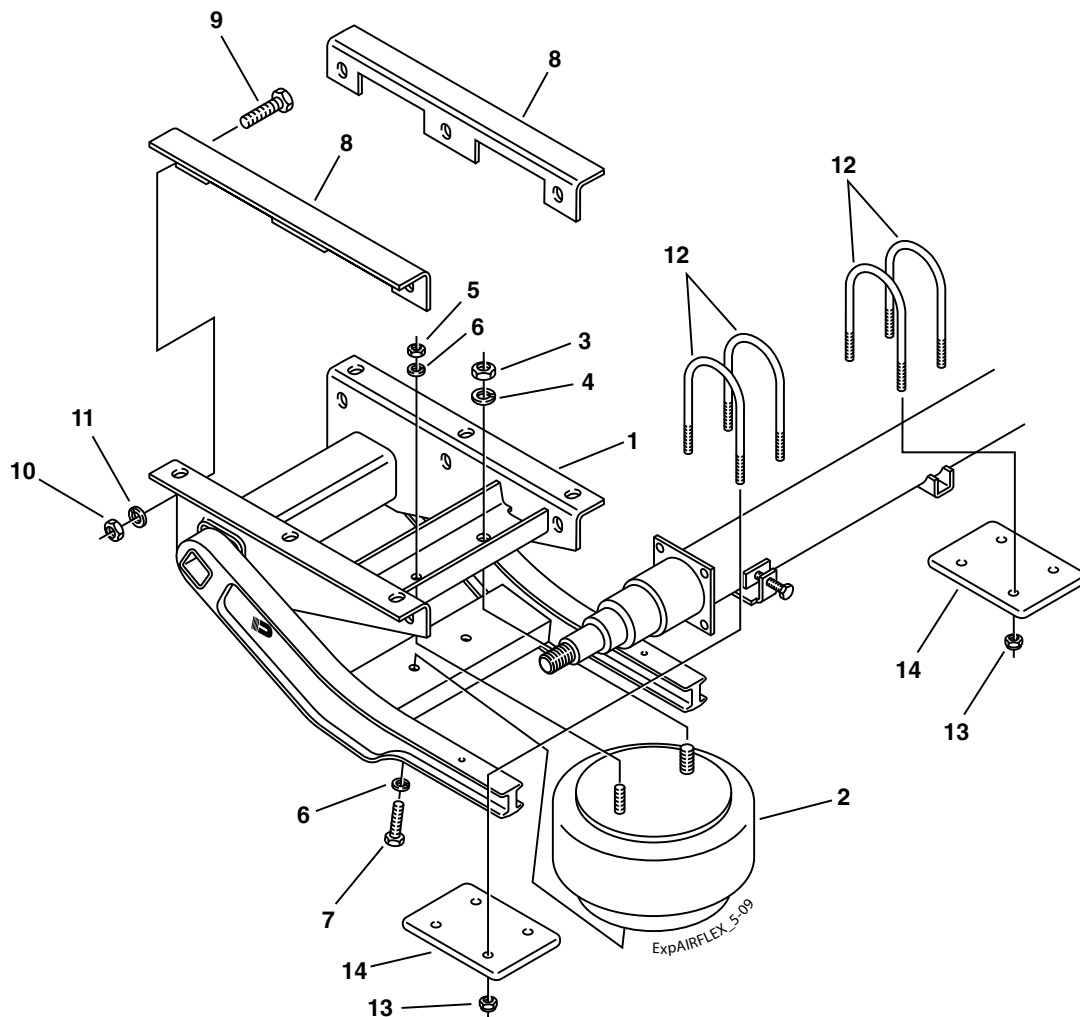


# AIRFLEX® for 7,000 Lb. Axles – Before May 2010



## Service Parts Only

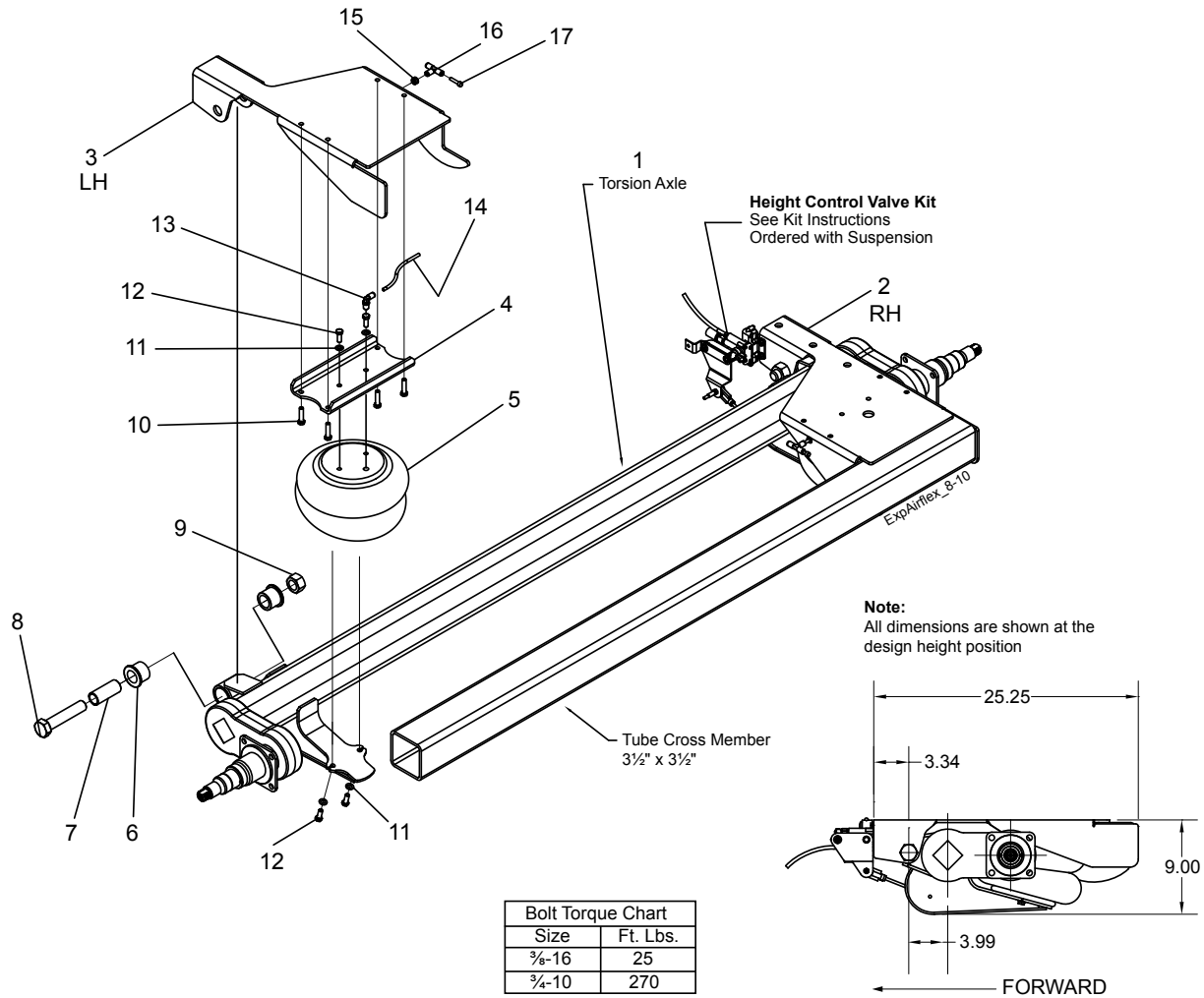
**5500 - 7000 LBS. CAPACITY**



### AIRFLEX® Suspension Components 7000#

Item	Part No.	Qty/Axle	Description
1	003-272-00	1	LH Suspension Assembly (shown) (incl. items #2-11)
1	003-273-00	1	RH Suspension Assembly (incl. items #2-11)
<b>Air Spring &amp; Mounting Hardware</b>			
2	034-279-00	2	Air Spring
3	006-122-01	2	3/4"-16 Jam Nut
4	005-143-00	2	3/4" Lock Washer
5	006-116-00	2	1/2"-13 Hex Nut
6	005-058-00	6	1/2" Lock Washer
7	007-259-00	4	1/2"-13 Hex Bolt
<b>Suspension Mounting Hardware</b>			
8	003-261-00	2	Side Mount Bracket
9	007-177-00	6	5/8" Mounting Bolt
10	006-126-00	6	5/8" Locknut
11	005-111-00	6	5/8" Washer
<b>Axle Attaching Hardware</b>			
12	011-090-01	8	3/4" U-Bolt
13	006-113-00	16	3/4" Locknut
14	012-065-01	4	Tie Plate
<b>Air Supply Kits</b>			
ns	K71-632-01	-	Tandem Plumbing Kit with Ride Height Control Valve
ns	K71-632-02	-	Air Generation Kit (includes compressor and tank)
ns	K71-632-03	-	Manual Dump Valve Kit
ns	K71-632-04	-	Tri-Axle Conversion Plumbing Kit

ns - not shown



Bolt Torque Chart	
Size	Ft. Lbs.
3/8-16	25
3/4-10	270

### AIRFLEX® Suspension Components 7000#

Item	Part No.	Qty/Axle	Description
1	n/a	1	Torsion Axle with Suspension Brackets
2	003-327-00	1	RH Frame Bracket
3	003-326-00	1	LH Frame Bracket
4	003-323-00	2	Channel, Air Spring Support
5	W01-358-6947	2	Firestone Air Spring
6	014-123-00	2	Pivot Bushing Kit
7	014-127-00	2	Bushing Spacer/Liner
8	n/a	2	3/4-10 UNC x 4.5" LG HHCS
9	n/a	2	3/4-10 UNC Stover Lock Nut
10	n/a	8	3/8-16 UNC x 1.5" LG HHCS
11	n/a	8	3/8 Regular Split Lock Washer
12	n/a	8	3/8-16 UNC x 1" LG HHCS
13	n/a	2	1/4 NPTM x 1/4 T 90° Elbow, Swivel
14	n/a	2	1/4 x 6.25" LG Nylon Tube
15	n/a	2	Grommet
16	n/a	2	1/4 T Union Tee
17	n/a	2	1/4 T Plug

#### Air Supply Kits

ns	K71-692-01	-	Ride Height Control Kit
ns	K71-692-02	-	Air Supply and Control Kit
ns	K71-692-03	-	Air Control Kit Without Air Supply

n/a - not available

ns - not shown