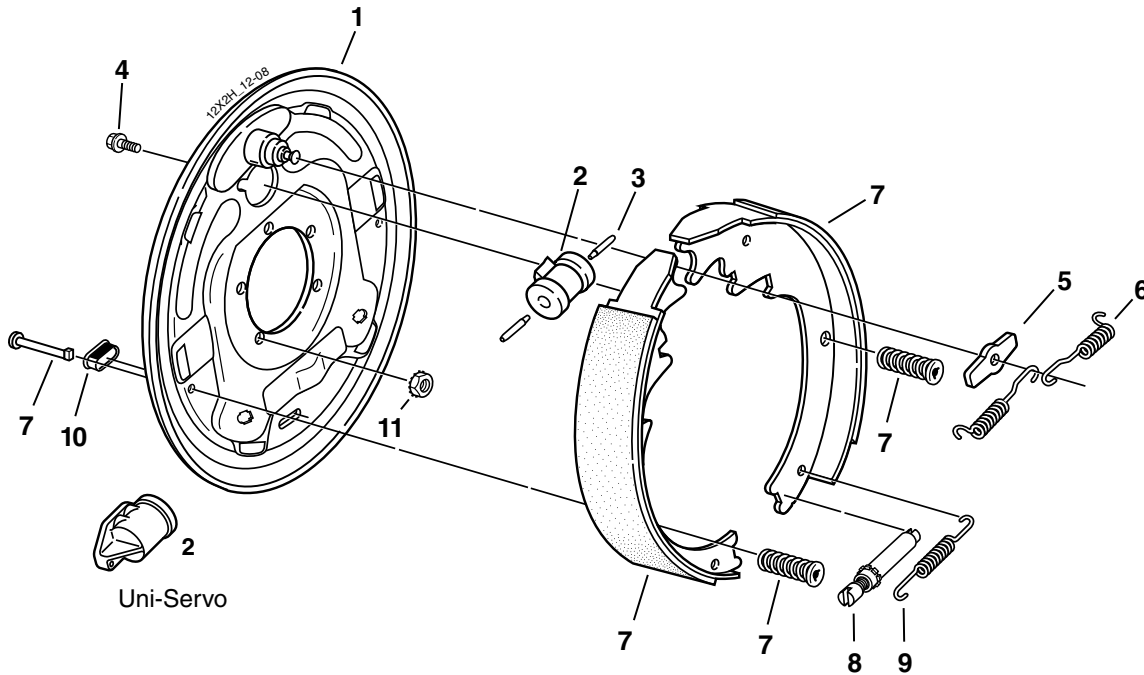


12" x 2" Hydraulic Brake



5500 - 7000 LBS. CAPACITY



Note: Uni-Servo brakes to be used with surge actuator

Hydraulic Brake 7000#

Item	Part No.	Qty/Brk	Description
0	K23-338-00	1	LH Complete Brake Assembly-US
0	K23-339-00	1	RH Complete Brake Assembly-US (shown)
0	K23-336-00	1	LH Complete Brake Assembly-DS
0	K23-337-00	1	RH Complete Brake Assembly-DS (shown)
1	036-093-08	1	Backing Plate Assembly
2	054-064-00	1	LH Brake Cylinder Uni-Servo
2	054-065-00	1	RH Brake Cylinder Uni-Servo
2	054-062-00	1	LH Brake Cylinder Duo-Servo
2	054-063-00	1	RH Brake Cylinder Duo-Servo
3	054-060-00	1 or 2	Cylinder Push Rod US (1) DS (2)
4	087-001-00	2	Sems (screw & washer assembly)
5	005-113-00	1	Anchor Post Washer
6	046-101-00	2	Retractor Spring
7	K71-269-00	1	LH Shoe & Lining Kit Contains: 1 #040-219-00 LH Primary Shoe & Lining 1 #040-218-02 LH Secondary Shoe & Lining 2 #046-077-00 Shoe Hold Down Spring & Cup 2 #049-012-00 Shoe Hold Down Pin #4
7	K71-270-00	1	RH Shoe & Lining Kit Contains: 1 #040-219-00 RH Primary Shoe & Lining 1 #040-218-01 RH Secondary Shoe & Lining 2 #046-077-00 Shoe Hold Down Spring & Cup 2 #049-012-00 Shoe Hold Down Pin #4
8	043-029-00	1	Adjuster Assembly
9	046-102-00	1	Adjusting Screw Spring
10	046-007-00	1	Adjuster Slot Plug
*11	006-193-00	5	Nut Washer Assembly
ns	054-089-00	1	Bleeder Screw (included with item #2)

ns - not shown

* Not included with complete brake assembly. Item sold separately.