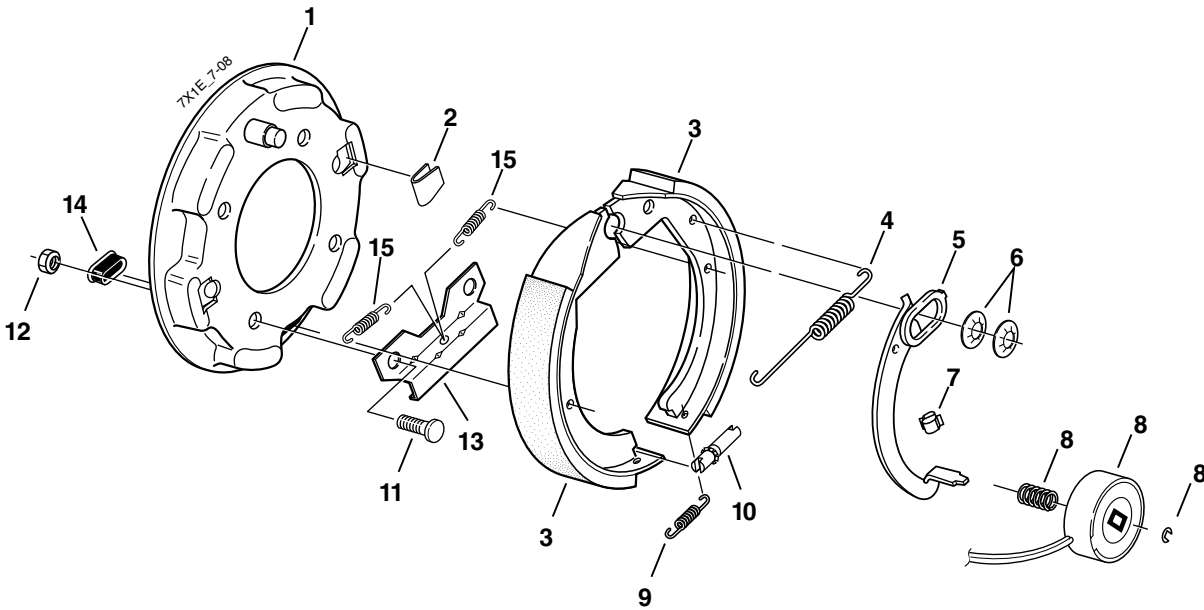


7" x 1¼" Electric Brake



CSA approved at 2000#/11.3 SLR; 2200#/10.2 SLR

1000 - 2200 LBS. CAPACITY



Electric Brake

Item	Part No.	Qty/Brk	Description
0	K23-047-00	1	LH Complete Brake Assembly (shown)
0	K23-048-00	1	RH Complete Brake Assembly
1	036-036-04	1	Backing Plate Assembly (includes items #11, 13)
2	046-023-00	2	Shoe Hold Down Clip
3	K71-045-00	1	Shoe & Lining Kit Contains: 1 #040-125-00 Primary Shoe & Lining 2 #040-049-00 Secondary Shoe & Lining
4	046-024-00	1	Retractor spring
5	047-114-03	1	LH Actuating Lever Arm
5	047-115-03	1	RH Actuating Lever Arm
6	046-030-00	2	Anchor Post Clip
7	027-005-00	1	Wire Clip
For brakes manufactured after 4/1/90			
8	K71-057-00	1	Magnet Kit Contains: 1 #040-134-00 Magnet 1 #046-121-00 Magnet Clip 1 #046-086-00 Magnet Spring
9	046-022-00	1	Adjusting Screw Spring
10	043-021-00	1	Adjusting Screw
11	007-041-00	4	Brake Mounting Bolt - Press-in
*12	006-017-00	4	Brake Mounting Nut
13	064-001-00	1	Stabilizer Bracket
14	046-007-00	1	Adjuster Slot Plug
For brakes manufactured after 8/1/91			
15	046-114-00	2	Shoe Centering Spring

* Not included with complete brake assembly. Item sold separately.

This brake is rated to a maximum capacity of 2200 lbs. / pair