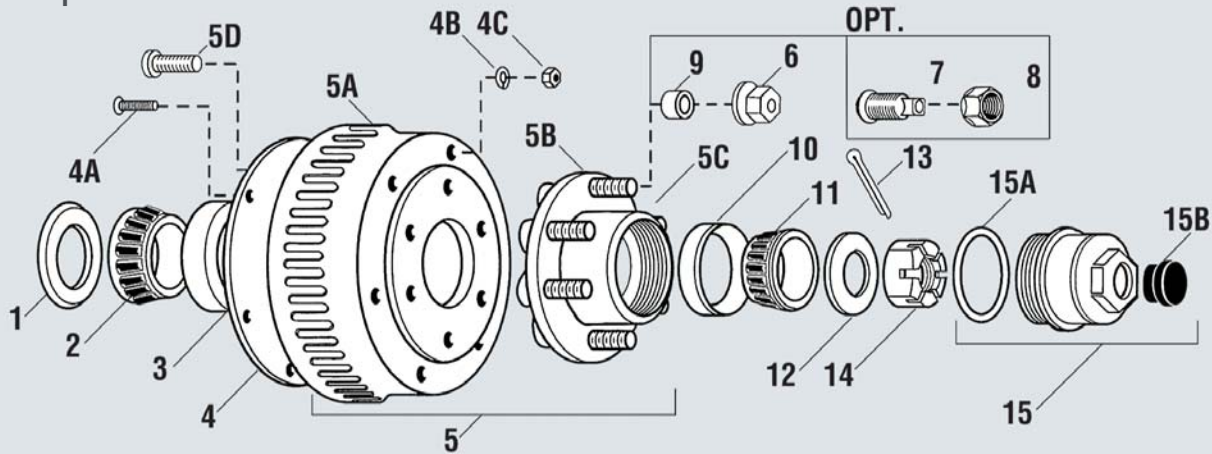


Hub and Drum Assembly

16K Air / Electric Brake



160 Spindle



Parts List

No.	Hub Part Description	AL-KO Part No.	Hayes Part No.	No.	Hub Part Description	AL-KO Part No.	Hayes Part No.
1	Oil Seal	568217	091023	**5B	Hub 10 on 8.75 LH	—	09083621
2	Inner Bearing Cone (39590)	093747	093747	*5C	Wheel Stud ¾"	—	09077116
3	Inner Bearing Cup (39520)	568277	093746	**5C	Wheel Stud ¾" RH	—	09077152
4	Armature Plate	568261	092406	**5C	Wheel Stud ¾" LH	—	09077153
4	Armature Plate w/ Exciter Ring ABS Air Brake	—	5106	5D	Hub Drum Mounting Bolt	568262	090745
4A	Flat Head Bolt ¼" - 20	568263	09070301	*6	Swiveling Flange Nut, ¾ 2" Flange	—	09065114
4B	Lock Washer ¼"	568264	090502	**7	Cap Nut-Inner; for steel wheels RH	—	09065110
4C	Nut ¼" - 20	568265	090610	**7	Cap Nut-Inner; for steel wheels LH	—	09065111
5A	Drum/Air/Elect. Less Armature	—	090907	**8	Cap Nut-Outer RH	—	09065112
HUBS & DRUMS/ELECTRIC				**8	Cap Nut-Outer LH	—	09065113
*5	Hub & Drum 6 on 8.75	—	09080910	*9	Wheel Stud Sleeve	—	09141905
*5	Hub & Drum 10 on 8.75	—	09080930	10	Outer Bearing Cup JM205110	568266	093714
**5	Hub & Drum 6 on 8.75 RH	—	09084110	11	Outer Bearing Cone JM205149	568218	093715
**5	Hub & Drum 6 on 8.75 LH	—	09084111	12	Spindle Washer	568136	090525
**5	Hub & Drum 10 on 8.75 RH	—	09084120	13	Cotter Pin	568137	091903
**5	Hub & Drum 10 on 8.75 LH	—	09084121	14	Spindle Nut	568135	090623
HUBS ELECTRIC/AIR				15	Oil Cap Assembly	K568220	K568220
*5B	Hub 6 on 8.75	—	09080686	15A	O-Ring	568222	10693
*5B	Hub 10 on 8.75	—	09080683	15B	Plug	568223	092126
**5B	Hub 6 on 8.75 RH	—	09083610				
**5B	Hub 8 on 8.75 LH	—	09083611				
**5B	Hub 10 on 8.75 RH	—	09083620				

* Used with ¾" Swiveling Flange Nuts (2" Diameter Flange)

** Used with ¾" Double Cap Nuts

10-1617